

1 1/2"
SQUARE
DRIVE

Six Point Impact Sockets

Standard Fractional Sizes

SIZE	PART #	D1	D2	L	T	C
1-5/16	Z-2421	2.402	3.386	2.953	0.748	1.328
1-3/8	Z-2422	2.480	3.386	2.953	0.748	1.328
1-7/16	Z-2423	2.520	3.386	3.150	0.748	1.525
1-1/2	Z-2424	2.520	3.386	3.150	0.866	1.525
1-9/16	Z-2425	2.677	3.386	3.150	0.866	1.525
1-5/8	Z-2426	2.795	3.386	3.150	0.866	1.525
1-11/16	Z-2427	2.874	3.386	3.150	0.984	1.525
1-3/4	Z-2428	2.953	3.386	3.150	1.004	1.525
1-13/16	Z-2429	2.953	3.386	3.150	1.004	1.525
1-7/8	Z-2430	3.150	3.386	3.228	1.036	1.603
1-15/16	Z-2431	3.150	3.386	3.228	1.063	1.603
2	Z-2432	3.150	3.386	3.228	1.063	1.603
2-1/16	Z-2433	3.386	3.386	3.465	1.181	1.840
2-1/8	Z-2434	3.386	3.386	3.465	1.181	1.840
2-3/16	Z-2435	3.386	3.386	3.583	1.260	1.958
2-1/4	Z-2436	3.386	3.386	3.583	1.280	1.958
2-5/16	Z-2437	3.622	3.386	3.583	1.300	1.958
2-3/8	Z-2438	3.622	3.386	3.740	1.378	2.115
2-7/16	Z-2439	3.780	3.386	3.740	1.378	2.115
2-1/2	Z-2440	3.937	3.386	3.740	1.378	2.115
2-9/16	Z-2441	3.937	3.386	3.740	1.378	2.115
2-5/8	Z-2442	3.937	3.386	3.937	1.496	2.312
2-11/16	Z-2443	4.134	3.386	3.937	1.496	2.312
2-3/4	Z-2444	4.134	3.386	3.937	1.496	2.312
2-13/16	Z-2445	4.291	3.386	4.134	1.575	2.509
2-7/8	Z-2446	4.291	3.386	4.134	1.614	2.509
2-15/16	Z-2447	4.291	3.386	4.134	1.614	2.509
3	Z-2448	4.528	3.386	4.331	1.732	2.706
3-1/16	Z-2449	4.528	3.386	4.331	1.732	2.706
3-1/8	Z-2450	4.528	3.386	4.331	1.770	2.706
3-3/16	Z-2451	4.764	3.386	4.724	1.850	3.099
3-1/4	Z-2452	4.764	3.386	4.724	1.850	3.099
3-5/16	Z-2453	4.764	3.386	4.724	1.850	3.099
3-3/8	Z-2454	5.000	3.386	4.724	1.930	3.099
3-7/16	Z-2455	5.000	3.386	4.724	1.930	3.099
3-1/2	Z-2456	5.118	3.386	4.724	1.930	3.099
3-9/16	Z-2457	5.118	3.386	4.724	1.930	3.099
3-5/8	Z-2458	5.315	5.000	4.724	1.930	3.099
3-11/16	Z-2459	5.315	5.000	4.921	1.930	3.099
3-3/4	Z-2460	5.315	5.000	4.921	1.930	3.296
3-13/16	Z-2461	5.512	5.000	4.921	2.125	3.296
3-7/8	Z-2462	5.512	5.000	4.921	2.125	3.296
3-15/16	Z-2463	5.512	5.000	4.921	2.125	3.296

Standard Fractional Sizes

SIZE	PART #	D1	D2	L	T	C
4	Z-2464	5.709	5.000	4.921	2.125	3.296
4-1/16	Z-2465	5.709	5.000	4.921	2.125	3.296
4-1/8	Z-2466	5.906	5.000	4.921	2.126	3.296
4-3/16	Z-2467	5.906	5.000	4.921	2.440	3.296
4-1/4	Z-2468	5.906	5.000	5.315	2.440	3.690
4-5/16	Z-2469	6.102	5.000	5.315	2.440	3.690
4-3/8	Z-2470	6.102	5.000	5.315	2.440	3.690
4-7/16	Z-2471	6.102	5.000	5.315	2.440	3.690
4-1/2	Z-2472	6.299	5.000	5.315	2.440	3.690
4-5/8	Z-2474	6.496	5.000	5.709	2.640	4.084
4-3/4	Z-2476	6.693	5.000	5.709	2.640	4.084
4-7/8	Z-2478	6.693	5.000	7.709	2.640	4.084
5	Z-2480	7.087	5.000	5.906	2.830	4.281
5-1/8	Z-2482	7.087	5.000	6.299	2.990	4.674
5-3/16	Z-2483	7.087	5.000	6.299	2.990	4.674
5-1/4	Z-2484	7.480	5.000	5.283	2.980	4.574
5-3/8	Z-2486	7.480	5.000	6.299	2.990	4.674

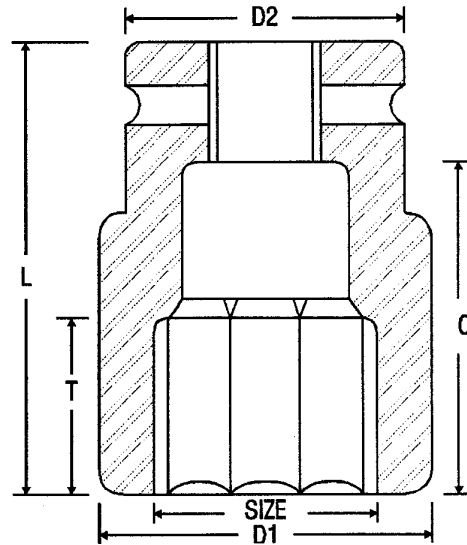


Table continued next column

Six Point Impact Sockets

**1 1/2"
SQUARE
DRIVE**

Deep Fractional Sizes

SIZE	PART #	D1	D2	L	T	C
1-5/16	Z-2421L	2.402	3.386	5.512	0.748	3.887
1-3/8	Z-2422L	2.480	3.386	5.512	0.748	3.887
1-7/16	Z-2423L	2.520	3.386	5.512	0.748	3.887
1-1/2	Z-2424L	2.520	3.386	5.512	0.866	3.887
1-9/16	Z-2425L	2.677	3.386	5.512	0.866	3.887
1-5/8	Z-2426L	2.795	3.386	5.512	0.866	3.887
1-11/16	Z-2427L	2.874	3.386	5.512	0.984	3.887
1-3/4	Z-2428L	2.953	3.386	5.512	1.004	3.887
1-13/16	Z-2429L	2.953	3.386	5.512	1.004	3.887
1-7/8	Z-2430L	3.150	3.386	5.512	1.036	3.887
1-15/16	Z-2431L	3.150	3.386	5.512	1.063	3.887
2	Z-2432L	3.150	3.386	5.512	1.063	3.887
2-1/16	Z-2433L	3.386	3.386	5.512	1.181	3.887
2-1/8	Z-2434L	3.386	3.386	5.512	1.181	3.887
2-3/16	Z-2435L	3.386	3.386	5.512	1.260	3.887
2-1/4	Z-2436L	3.386	3.386	5.512	1.280	3.887
2-5/16	Z-2437L	3.622	3.386	5.512	1.300	3.887
2-3/8	Z-2438L	3.622	3.386	5.512	1.378	3.887
2-7/16	Z-2439L	3.780	3.386	5.512	1.378	3.887
2-1/2	Z-2440L	3.937	3.386	5.512	1.378	3.887
2-9/16	Z-2441L	3.937	3.386	5.512	1.378	3.887
2-5/8	Z-2442L	3.937	3.386	5.512	1.496	3.887
2-11/16	Z-2443L	4.134	3.386	5.512	1.496	3.887
2-3/4	Z-2444L	4.134	3.386	5.512	1.496	3.887
2-13/16	Z-2445L	4.291	3.386	5.512	1.575	3.887
2-7/8	Z-2446L	4.291	3.386	5.512	1.614	3.887
2-15/16	Z-2447L	4.291	3.386	5.512	1.614	3.887
3	Z-2448L	4.528	3.386	5.512	1.732	3.887
3-1/16	Z-2449L	4.528	3.386	5.512	1.732	3.887
3-1/8	Z-2450L	4.528	3.386	5.512	1.770	3.887
3-3/16	Z-2451L	4.764	3.386	5.512	1.850	3.887
3-1/4	Z-2452L	4.764	3.386	5.512	1.850	3.887
3-5/16	Z-2453L	4.764	3.386	5.512	1.850	3.887
3-3/8	Z-2454L	5.000	3.386	5.512	1.930	3.887
3-7/16	Z-2455L	5.000	3.386	5.512	1.930	3.887
3-1/2	Z-2456L	5.118	3.386	5.512	1.930	3.887
3-9/16	Z-2457L	5.118	3.386	5.512	1.930	3.887
3-5/8	Z-2458L	5.315	5.000	5.512	1.930	3.887
3-11/16	Z-2459L	5.315	5.000	5.906	1.930	4.281
3-3/4	Z-2460L	5.315	5.000	5.906	1.930	4.281
3-13/16	Z-2461L	5.512	5.000	5.906	2.125	4.281
3-7/8	Z-2462L	5.512	5.000	5.906	2.125	4.281
3-15/16	Z-2463L	5.512	5.000	5.906	2.125	4.281

Table continued next column

Deep Fractional Sizes

SIZE	PART #	D1	D2	L	T	C
4	Z-2464L	5.709	5.000	5.906	2.125	4.281
4-1/16	Z-2465L	5.709	5.000	5.906	2.125	4.281
4-1/8	Z-2466L	5.906	5.000	5.906	2.126	4.281
4-3/16	Z-2467L	5.906	5.000	5.906	2.440	4.281
4-1/4	Z-2468L	5.906	5.000	6.299	2.440	4.674
4-5/16	Z-2469L	6.102	5.000	6.299	2.440	4.674
4-3/8	Z-2470L	6.102	5.000	6.299	2.440	4.674
4-7/16	Z-2471L	6.102	5.000	6.299	2.440	4.674
4-1/2	Z-2472L	6.299	5.000	6.299	2.440	4.674
4-5/8	Z-2474L	6.496	5.000	6.693	2.640	5.068
4-3/4	Z-2476L	6.693	5.000	6.693	2.640	5.068
4-7/8	Z-2478L	6.693	5.000	6.693	2.640	5.068
5	Z-2480L	7.087	5.000	7.087	2.830	5.462
5-1/8	Z-2482L	7.087	5.000	7.283	2.990	5.658
5-3/16	Z-2483L	7.087	5.000	7.283	2.990	5.658
5-3/8	Z-2486L	7.480	5.000	7.283	2.990	5.658

1 1/2"
SQUARE
DRIVE

Six Point Impact Sockets

Standard Metric Sizes

SIZE	PART #	D1	D2	L	T	C
32	Z-24M32	60	86	75	16.5	34
33	Z-24M33	60	86	75	17	34
34	Z-24M34	60	86	75	17	34
35	Z-24M35	60	86	75	19	34
36	Z-24M36	64	86	80	19	39
37	Z-24M37	64	86	80	19	39
38	Z-24M38	64	86	80	22	39
39	Z-24M39	70	86	80	21.5	39
40	Z-24M40	70	86	80	21.5	39
41	Z-24M41	70	86	80	22	39
42	Z-24M42	70	86	80	21.5	39
43	Z-24M43	75	86	80	25	39
44	Z-24M44	75	86	80	21.5	39
45	Z-24M45	75	86	80	21.5	39
46	Z-24M46	75	86	80	25.5	39
47	Z-24M47	75	86	80	23.5	39
48	Z-24M48	80	86	82	23.5	41
49	Z-24M49	80	86	82	27	41
50	Z-24M50	80	86	82	23.5	41
51	Z-24M51	80	86	82	27	41
52	Z-24M52	80	86	82	27	41
54	Z-24M54	86	86	89	30	47
55	Z-24M55	86	86	89	27	47
56	Z-24M56	86	86	92	28	50
57	Z-24M57	86	86	92	32.5	50
58	Z-24M58	92	86	92	28	50
59	Z-24M59	92	86	92	33	50
60	Z-24M60	92	86	92	28	50
61	Z-24M61	96	86	96	28	54
62	Z-24M62	96	86	96	35	54
65	Z-24M65	100	86	96	35	54
67	Z-24M67	100	86	101	38	59
70	Z-24M70	105	86	101	38	59
73	Z-24M73	109	86	105	41	64
75	Z-24M75	109	86	105	41	64
76	Z-24M76	115	86	110	44	69
80	Z-24M80	115	86	110	37	69
85	Z-24M85	121	86	116	40	79
86	Z-24M86	127	86	116	49	79
90	Z-24M90	130	86	118	43	79
95	Z-24M95	135	127	118	49	84
100	Z-24M100	140	127	125	54	84
105	Z-24M105	150	127	125	54	84
110	Z-24M110	155	127	137	62	94
115	Z-24M115	160	127	137	57	94
120	Z-24M120	165	127	145	67	104
125	Z-24M125	170	127	145	67	104
130	Z-24M130	180	127	158	76	119

Deep Metric Sizes

SIZE	PART #	D1	D2	L	T	C
32	Z-24M32L	60	86	140	16.5	99
33	Z-24M33L	60	86	140	17	99
34	Z-24M34L	60	86	140	17	99
35	Z-24M35L	60	86	140	19	99
36	Z-24M36L	64	86	140	19	99
37	Z-24M37L	64	86	140	19	99
38	Z-24M38L	64	86	140	22	99
39	Z-24M39L	70	86	140	21.5	99
40	Z-24M40L	70	86	140	21.5	99
41	Z-24M41L	70	86	140	22	99
42	Z-24M42L	70	86	140	21.5	99
43	Z-24M43L	75	86	140	25	99
44	Z-24M44L	75	86	140	21.5	99
45	Z-24M45L	75	86	140	21.5	99
46	Z-24M46L	75	86	140	25.5	99
47	Z-24M47L	75	86	140	23.5	99
48	Z-24M48L	80	86	140	23.5	99
49	Z-24M49L	80	86	140	27	99
50	Z-24M50L	80	86	140	23.5	99
51	Z-24M51L	80	86	140	27	99
52	Z-24M52L	80	86	140	27	99
54	Z-24M54L	86	86	140	30	99
55	Z-24M55L	86	86	140	27	99
56	Z-24M56L	86	86	140	28	99
57	Z-24M57L	86	86	140	32.5	99
58	Z-24M58L	92	86	140	28	99
59	Z-24M59L	92	86	140	33	99
60	Z-24M60L	92	86	140	28	99
61	Z-24M61L	96	86	140	28	99
62	Z-24M62L	96	86	140	35	99
65	Z-24M65L	100	86	140	35	99
67	Z-24M67L	100	86	140	38	99
70	Z-24M70L	105	86	140	38	99
73	Z-24M73L	109	86	140	41	99
75	Z-24M75L	109	86	140	41	99
76	Z-24M76L	115	86	140	44	99
80	Z-24M80L	115	86	140	37	99
85	Z-24M85L	121	86	140	40	99
86	Z-24M86L	127	86	140	49	99
90	Z-24M90L	130	86	140	43	99
95	Z-24M95L	135	127	150	49	109
100	Z-24M100L	140	127	150	54	109
105	Z-24M105L	150	127	150	54	109
110	Z-24M110L	155	127	160	62	119
115	Z-24M115L	160	127	160	57	119
120	Z-24M120L	165	127	170	67	129
125	Z-24M125L	170	127	170	67	129
130	Z-24M130L	180	127	185	76	144

Accessories

1 1/2"
SQUARE
DRIVE



Adapters

PART #	D1	D2	L
A2416	1-1/2	1	3.75
A2440	1-1/2	2-1/2	3.50
A2495	1-1/2	#5 Spline	4.33



Double Ended Female Adapters

PART #	D1	D2	L
AN2416	1-1/2	1	3.27
AN2424	1-1/2	1-1/2	3.35
AN4024	1-1/2	2-1/2	4.53



Universal Joint

SIZE	PART #
1-1/2	U2424



Extensions

PART #	L
E2406	6
E2412	12



Double Ended Male Extensions

PART #	D1	L
Z2404	1.93	4
Z2405	1.93	5
Z2410	1.93	10
Z2420	1.93	20

Retaining Pins and Rings

SQUARE DRIVE	THROUGH HEX SIZE	PIN #	RING #
1-1/2	3-9/16 - 90mm	P2486	R2486
1-1/2	Above 3-9/16	P24127	R24127