

Six Point Impact Sockets

1"
SQUARE
DRIVE

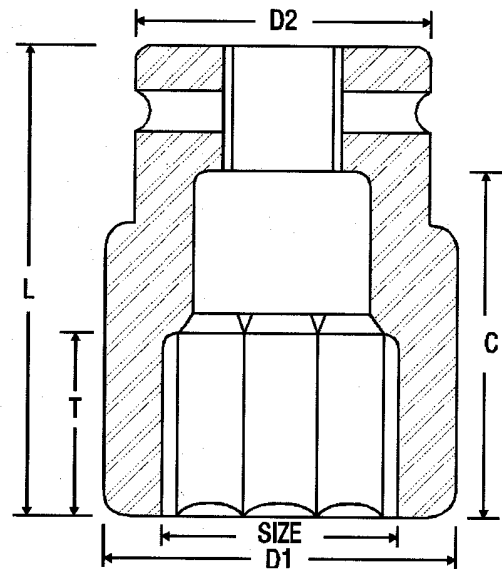
Standard Fractional Sizes

SIZE	PART #	D1	D2	L	T	C
3/4	Z-1612	1.417	2.126	2.165	0.374	1.040
13/16	Z-1613	1.496	2.126	2.165	0.433	1.040
7/8	Z-1614	1.575	2.126	2.165	0.551	1.040
15/16	Z-1615	1.614	2.126	2.165	0.551	1.040
1	Z-1616	1.693	2.126	2.224	0.551	1.119
1-1/16	Z-1617	1.811	2.126	2.224	0.551	1.119
1-1/8	Z-1618	1.890	2.126	2.224	0.650	1.119
1-3/16	Z-1619	1.969	2.126	2.224	0.650	1.119
1-1/4	Z-1620	2.008	2.126	2.224	0.669	1.119
1-5/16	Z-1621	2.126	2.126	2.323	0.748	1.198
1-3/8	Z-1622	2.126	2.126	2.323	0.748	1.198
1-7/16	Z-1623	2.126	2.126	2.323	0.748	1.198
1-1/2	Z-1624	2.362	2.126	2.441	0.866	1.316
1-9/16	Z-1625	2.362	2.126	2.441	0.866	1.316
1-5/8	Z-1626	2.480	2.126	2.441	0.866	1.316
1-11/16	Z-1627	2.638	2.126	2.638	0.984	1.513
1-3/4	Z-1628	2.756	2.126	2.717	1.004	1.592
1-13/16	Z-1629	2.756	2.126	2.717	1.004	1.592
1-7/8	Z-1630	2.756	2.126	2.756	1.062	1.631
1-15/16	Z-1631	2.874	2.126	2.756	1.062	1.631
2	Z-1632	2.874	2.126	2.756	1.062	1.631
2-1/16	Z-1633	3.071	2.126	2.953	1.181	1.828
2-1/8	Z-1634	3.228	2.126	2.953	1.181	1.828
2-3/16	Z-1635	3.228	2.126	3.071	1.259	1.946
2-1/4	Z-1636	3.228	2.126	3.071	1.299	1.946
2-5/16	Z-1637	3.386	2.126	3.150	1.299	2.025
2-3/8	Z-1638	3.386	2.126	3.543	1.378	2.418
2-7/16	Z-1639	3.622	2.126	3.543	1.378	2.418
2-1/2	Z-1640	3.622	2.126	3.543	1.378	2.418
2-9/16	Z-1641	3.622	2.126	3.543	1.378	2.458
2-5/8	Z-1642	3.622	2.126	3.661	1.496	2.536
2-11/16	Z-1643	3.780	2.126	3.701	1.496	2.576
2-3/4	Z-1644	3.780	3.386	3.740	1.496	2.615
2-13/16	Z-1645	3.937	3.386	3.740	1.575	2.615
2-7/8	Z-1646	3.937	3.386	3.740	1.614	2.615
2-15/16	Z-1647	3.937	3.386	3.740	1.614	2.615
3	Z-1648	4.134	3.386	3.780	1.732	2.655
3-1/16	Z-1649	4.134	3.386	3.780	1.732	2.655
3-1/8	Z-1650	4.134	3.386	3.780	1.732	2.655
3-3/16	Z-1651	4.291	3.386	3.937	1.850	2.812
3-1/4	Z-1652	4.291	3.386	3.937	1.850	2.812
3-5/16	Z-1653	4.291	3.386	3.937	1.850	2.812
3-3/8	Z-1654	4.291	3.386	4.055	1.929	2.930
3-7/16	Z-1655	4.764	3.386	4.055	1.929	2.930
3-1/2	Z-1656	4.764	3.386	4.055	1.929	2.930
3-9/16	Z-1657	5.000	3.386	4.055	1.890	2.930
3-5/8	Z-1658	5.118	3.386	4.055	1.929	2.930
3-11/16	Z-1659	5.118	3.386	4.055	1.929	2.930
3-3/4	Z-1660	5.315	3.386	4.370	1.929	3.245
3-13/16	Z-1661	5.315	3.386	4.370	2.125	3.245
3-7/8	Z-1662	5.315	3.386	4.370	2.125	3.245
3-15/16	Z-1663	5.315	3.386	4.370	2.125	3.245

Table continued next column

Standard Fractional Sizes

SIZE	PART #	D1	D2	L	T	C
4	Z-1664	5.512	5	4.370	2.125	3.245
4-1/16	Z-1665	4.512	5	4.370	2.125	3.245
4-1/8	Z-1666	5.709	5	4.370	2.125	3.245
4-3/16	Z-1667	5.709	5	4.370	2.441	3.245
4-1/4	Z-1668	5.709	5	4.724	2.441	3.599
4-5/16	Z-1669	5.906	5	4.724	2.441	3.599
4-3/8	Z-1670	5.906	5	4.724	2.441	3.599
4-7/16	Z-1671	6.102	5	4.724	2.441	3.599
4-1/2	Z-1672	6.102	5	4.724	2.441	3.599



**1"
SQUARE
DRIVE**

Six Point Impact Sockets

Deep Fractional Sizes

SIZE	PART #	D1	D2	L	T	C
3/4	Z-1612L	1.417	2.126	3.937	0.374	2.812
13/16	Z-1613L	1.496	2.126	3.937	0.433	2.812
7/8	Z-1614L	1.575	2.126	3.937	0.551	2.812
15/16	Z-1615L	1.614	2.126	3.937	0.551	2.812
1	Z-1616L	1.693	2.126	3.937	0.551	2.812
1-1/16	Z-1617L	1.811	2.126	3.937	0.551	2.812
1-1/8	Z-1618L	1.890	2.126	3.937	0.650	2.812
1-3/16	Z-1619L	1.969	2.126	3.937	0.650	2.812
1-1/4	Z-1620L	2.008	2.126	3.937	0.669	2.812
1-5/16	Z-1621L	2.126	2.126	3.937	0.748	2.812
1-3/8	Z-1622L	2.126	2.126	3.937	0.748	2.812
1-7/16	Z-1623L	2.126	2.126	3.937	0.748	2.812
1-1/2	Z-1624L	2.362	2.126	3.937	0.866	2.812
1-9/16	Z-1625L	2.362	2.126	3.937	0.866	2.812
1-5/8	Z-1626L	2.480	2.126	3.937	0.866	2.812
1-11/16	Z-1627L	2.638	2.126	3.937	0.984	2.812
1-3/4	Z-1628L	2.756	2.126	3.937	1.004	2.812
1-13/16	Z-1629L	2.756	2.126	3.937	1.004	2.812
1-7/8	Z-1630L	2.756	2.126	3.937	1.062	2.812
1-15/16	Z-1631L	2.874	2.126	3.937	1.062	2.812
2	Z-1632L	2.874	2.126	3.937	1.062	2.812
2-1/16	Z-1633L	3.071	2.126	4.094	1.181	2.969
2-1/8	Z-1634L	3.228	2.126	4.094	1.181	2.969
2-3/16	Z-1635L	3.228	2.126	4.213	1.259	3.088
2-1/4	Z-1636L	3.228	2.126	4.213	1.299	3.088
2-5/16	Z-1637L	3.386	2.126	4.291	1.299	3.166
2-3/8	Z-1638L	3.386	2.126	4.685	1.378	3.560
2-7/16	Z-1639L	3.622	2.126	4.685	1.378	3.560
2-1/2	Z-1640L	3.622	2.126	4.685	1.378	3.560
2-9/16	Z-1641L	3.622	2.126	4.724	1.378	3.599
2-5/8	Z-1642L	3.622	2.126	4.803	1.496	3.678
2-11/16	Z-1643L	3.780	2.126	4.843	1.496	3.718
2-3/4	Z-1644L	3.780	3.386	4.882	1.496	3.757
2-13/16	Z-1645L	3.937	3.386	4.882	1.575	3.757
2-7/8	Z-1646L	3.937	3.386	4.882	1.614	3.757
2-15/16	Z-1647L	3.937	3.386	4.882	1.614	3.757
3	Z-1648L	4.134	3.386	4.921	1.732	3.796
3-1/16	Z-1649L	4.134	3.386	4.921	1.732	3.796
3-1/8	Z-1650L	4.134	3.386	4.921	1.732	3.796
3-3/16	Z-1651L	4.291	3.386	5.079	1.850	3.954
3-1/4	Z-1652L	4.291	3.386	5.079	1.850	3.954
3-5/16	Z-1653L	4.291	3.386	5.079	1.850	3.954
3-3/8	Z-1654L	4.291	3.386	5.197	1.929	4.072
3-7/16	Z-1655L	4.764	3.386	5.197	1.929	4.072
3-1/2	Z-1656L	4.764	3.386	5.197	1.929	4.072
3-9/16	Z-1657L	5.000	3.386	5.197	1.890	4.072
3-5/8	Z-1658L	5.118	3.386	5.197	1.929	4.072
3-11/16	Z-1659L	5.118	3.386	5.197	1.929	4.072
3-3/4	Z-1660L	5.315	3.386	5.512	1.929	4.387
3-13/16	Z-1661L	5.315	3.386	5.512	2.125	4.387
3-7/8	Z-1662L	5.315	3.386	5.512	2.125	4.387
3-15/16	Z-1663L	5.315	3.386	5.512	2.125	4.387

Table continued next column

Deep Fractional Sizes

SIZE	PART #	D1	D2	L	T	C
4	Z-1664L	5.512	5.000	5.512	2.125	4.387
4-1/16	Z-1665L	4.512	5.000	5.512	2.125	4.387
4-1/8	Z-1666L	5.709	5.000	5.512	2.125	4.387
4-3/16	Z-1667L	5.709	5.000	5.512	2.441	4.387
4-1/4	Z-1668L	5.709	5.000	5.866	2.441	4.741
4-5/16	Z-1669L	5.906	5.000	5.866	2.441	4.741
4-3/8	Z-1670L	5.906	5.000	5.866	2.441	4.741
4-7/16	Z-1671L	6.102	5.000	5.866	2.441	4.741
4-1/2	Z-1672L	6.102	5.000	5.866	2.441	4.741

Deep Fractional Thinwall

SIZE	PART #	D1	D2	L	T	C
7/8	Z-1614LT	1.496	2.126	3.937	1.024	2.812
15/16	Z-1615LT	1.496	2.126	3.937	1.024	2.812
1	Z-1616LT	1.614	2.126	3.937	1.024	2.812
1-1/16	Z-1617LT	1.732	2.126	3.937	1.024	2.812
1-1/8	Z-1618LT	1.732	2.126	3.937	1.299	2.812
1-3/16	Z-1619LT	1.929	2.126	3.937	1.299	2.812
1-1/4	Z-1620LT	1.929	2.126	3.937	1.339	2.812
1-5/16	Z-1621LT	2.047	2.126	3.937	1.496	2.812
1-3/8	Z-1622LT	2.047	2.126	3.937	1.496	2.812
1-7/16	Z-1623LT	2.126	2.126	3.937	1.496	2.812
1-1/2	Z-1624LT	2.224	2.126	3.937	1.732	2.812
1-9/16	Z-1625LT	2.244	2.126	3.937	1.732	2.812
1-5/8	Z-1626LT	2.362	2.126	3.937	1.732	2.812
1-11/16	Z-1627LT	2.480	2.126	3.937	1.968	2.812
1-3/4	Z-1628LT	2.638	2.126	3.937	2.008	2.812
1-13/16	Z-1629LT	2.638	2.126	3.937	2.008	2.812

Six Point Impact Sockets

**1"
SQUARE
DRIVE**

Standard Metric Sizes

SIZE	PART #	D1	D2	L	T	C
19	Z-16M19	36	54	55	9.5	26
20	Z-16M20	37	54	55	10	26
21	Z-16M21	38	54	55	10	26
22	Z-16M22	40	54	55	10	26
23	Z-16M23	41	54	55	12	26
24	Z-16M24	42	54	55	12	26
25	Z-16M25	43	54	55	13	26
26	Z-16M26	45	54	55	13	26
27	Z-16M27	46	54	55	13	26
28	Z-16M28	47	54	55	14	26
29	Z-16M29	48	54	57	14	28
30	Z-16M30	50	54	57	16.5	28
31	Z-16M31	51	54	57	16.5	28
32	Z-16M32	51	54	57	16.5	28
33	Z-16M33	54	54	57	17	28
34	Z-16M34	54	54	60	19	31
35	Z-16M35	54	54	60	19	31
36	Z-16M36	54	54	60	19	31
37	Z-16M37	57	54	60	19	31
38	Z-16M38	60	54	64	22	35
39	Z-16M39	60	54	64	21.5	35
40	Z-16M40	63	54	64	21.5	35
41	Z-16M41	63	54	64	22	35
42	Z-16M42	63	54	64	21.5	35
43	Z-16M43	67	54	69	25	40
44	Z-16M44	67	54	69	21.5	40
45	Z-16M45	70	54	69	21.5	40
46	Z-16M46	70	54	69	25.5	40
47	Z-16M47	70	54	69	23.5	40
48	Z-16M48	73	54	72	23.5	43
49	Z-16M49	73	54	72	27	43
50	Z-16M50	73	54	72	23.5	43
51	Z-16M51	73	54	72	27	43
52	Z-16M52	78	54	72	27	43
54	Z-16M54	82	54	76	30	47
55	Z-16M55	82	54	76	27	47
56	Z-16M56	82	54	75	28	46
57	Z-16M57	82	54	80	33	51
58	Z-16M58	86	54	75	28	46
59	Z-16M59	86	54	82	33	53
60	Z-16M60	86	54	75	28	46
61	Z-16M61	88	54	85	28	56
62	Z-16M62	92	54	85	35	56
65	Z-16M65	92	54	85	35	56
67	Z-16M67	92	54	91	38	62

Table continued at top of next column

Standard Metric Sizes

SIZE	PART #	D1	D2	L	T	C
70	Z-16M70	96	54	88	38	79
73	Z-16M73	100	86	92	41	83
75	Z-16M75	100	86	92	41	83
76	Z-16M76	105	86	97	44	68
77	Z-16M77	105	86	97	44	68
80	Z-16M80	105	86	88	37	59
85	Z-16M85	115	86	92	40	63
86	Z-16M86	115	86	104	49	75
90	Z-16M90	127	86	97	43	68
95	Z-16M95	135	86	106	49	77
100	Z-16M100	135	86	112	54	83
105	Z-16M105	145	127	112	54	83
110	Z-16M110	150	127	122	62	93
115	Z-16M115	155	127	120	57	91

NOTE: See Page 14 for Deep Metric Sizes

Deep Metric Thinwall

SIZE	PART #	D1	D2	L	T	C
22	Z-16M22LT	38	54	100	20	71
23	Z-16M23LT	38	54	100	24	71
24	Z-16M24LT	38	54	100	24	71
25	Z-16M25LT	41	54	100	26	71
26	Z-16M26LT	44	54	100	26	71
27	Z-16M27LT	44	54	100	26	71
28	Z-16M28LT	44	54	100	28	71
29	Z-16M29LT	44	54	100	28	71
30	Z-16M30LT	49	54	100	33	71
31	Z-16M31LT	49	54	100	33	71
32	Z-16M32LT	49	54	100	33	71
33	Z-16M33LT	52	54	100	34	71
34	Z-16M34LT	52	54	100	34	71
35	Z-16M35LT	52	54	100	38	71
36	Z-16M36LT	54	54	100	38	71
37	Z-16M37LT	54	54	100	38	71
38	Z-16M38LT	54	54	100	43	71
39	Z-16M39LT	54	54	100	43	71
40	Z-16M40LT	54	54	100	43	71
41	Z-16M41LT	54	54	100	44	71
42	Z-16M42LT	54	54	100	44	71
43	Z-16M43LT	54	54	100	50	71
44	Z-16M44LT	54	54	100	50	71
45	Z-16M45LT	54	54	100	51	71
46	Z-16M46LT	54	54	100	51	71

**1"
SQUARE
DRIVE**

Six Point Impact Sockets

Deep Metric Sizes

SIZE	PART #	D1	D2	L	T	C
19	Z-16M19L	36	54	100	9.5	71
20	Z-16M20L	37	54	100	10	71
21	Z-16M21L	38	54	100	10	71
22	Z-16M22L	40	54	100	10	71
23	Z-16M23L	41	54	100	12	71
24	Z-16M24L	42	54	100	12	71
25	Z-16M25L	43	54	100	13	71
26	Z-16M26L	45	54	100	13	71
27	Z-16M27L	46	54	100	13	71
28	Z-16M28L	47	54	100	14	71
29	Z-16M29L	48	54	100	14	71
30	Z-16M30L	50	54	100	16.5	71
31	Z-16M31L	51	54	100	16.5	71
32	Z-16M32L	51	54	100	16.5	71
33	Z-16M33L	54	54	100	17	71
34	Z-16M34L	54	54	100	19	71
35	Z-16M35L	54	54	100	19	71
36	Z-16M36L	54	54	100	19	71
37	Z-16M37L	57	54	100	19	71
38	Z-16M38L	60	54	100	22	71
39	Z-16M39L	60	54	100	21.5	71
40	Z-16M40L	63	54	100	21.5	71
41	Z-16M41L	63	54	100	22	71
42	Z-16M42L	63	54	100	21.5	71
43	Z-16M43L	67	54	100	25	71
44	Z-16M44L	67	54	100	21.5	71
45	Z-16M45L	70	54	100	21.5	71
46	Z-16M46L	70	54	100	25.5	71
47	Z-16M47L	70	54	100	23.5	71

Table continued next column

Deep Metric Sizes

SIZE	PART #	D1	D2	L	T	C
48	Z-16M48L	73	54	100	23.5	71
49	Z-16M49L	73	54	100	27	71
50	Z-16M50L	73	54	100	23.5	71
51	Z-16M51L	73	54	100	27	71
52	Z-16M52L	78	54	100	27	71
54	Z-16M54L	82	54	104	30	75
55	Z-16M55L	82	54	104	27	75
56	Z-16M56L	82	54	105	28	76
57	Z-16M57L	82	54	105	33	76
58	Z-16M58L	86	54	105	28	76
59	Z-16M59L	86	54	112	33	83
60	Z-16M60L	86	54	105	28	83
61	Z-16M61L	88	54	112	28	83
62	Z-16M62L	92	54	118	35	89
65	Z-16M65L	92	54	118	35	89
67	Z-16M67L	92	54	118	38	89
70	Z-16M70L	96	54	124	38	95
73	Z-16M73L	100	86	124	41	95
75	Z-16M75L	100	86	124	41	95
76	Z-16M76L	105	86	130	44	101
77	Z-16M77L	105	86	130	44	101
80	Z-16M80L	105	86	132	37	103
85	Z-16M85L	115	86	132	40	103
86	Z-16M86L	115	86	140	49	111
90	Z-16M90L	127	86	140	43	111
95	Z-16M95L	135	86	140	49	111
100	Z-16M100L	135	86	143	54	114
105	Z-16M105L	145	127	143	54	114
110	Z-16M110L	150	127	149	62	120
115	Z-16M115L	155	127	149	57	120

Hex Driver Sockets

Fractional Sizes

SIZE	PART #	D1	L	T
1/2	Z-1608H	2.125	2.91	1.16
9/16	Z-1609H	2.125	2.91	1.16
5/8	Z-1610H	2.125	2.91	1.16
3/4	Z-1612H	2.125	2.91	1.16
13/16	Z-1613H	2.125	3.07	1.32
7/8	Z-1614H	2.125	3.07	1.32
1	Z-1616H	2.125	3.07	1.32
1-1/16	Z-1617H	2.125	3.23	1.48
1-1/8	Z-1618H	2.125	3.23	1.48
1-3/16	Z-1619H	2.125	3.23	1.48
1-1/4	Z-1620H	2.125	3.43	1.68



Metric Sizes

SIZE	PART #	D1	L	T
10	16M10H	2.125	2.91	1.16
12	16M12H	2.125	2.91	1.16
14	16M14H	2.125	2.91	1.16
17	16M17H	2.125	2.91	1.16
19	16M19H	2.125	2.91	1.16
22	16M22H	2.125	3.07	1.32
24	16M24H	2.125	3.07	1.32
27	16M27H	2.125	3.23	1.48
30	16M30H	2.125	3.23	1.48
32	16M32H	2.125	3.43	1.68

Six Point Impact Sockets

**1"
SQUARE
DRIVE**

BUDD Wheel Sockets

SIZE	PART #	D1	D2	L	T
17	Z-16M17B	40	54	55	9
21	Z-16M21B	47	54	55	10
13/16	Z-1613B	1.85	2.125	2.165	0.472
15/16	Z-1615B	2.07	2.125	2.360	0.512
13/16	Z-1613BL	1.85	2.125	3.937	0.472
15/16	Z-1615BL	2.07	2.125	3.937	0.512
13/16 X 1-1/2	Z-1624BS	2.24	2.125	3.937	0.571

Double Square Impact Sockets



Standard Fractional Sizes

SIZE	PART #	D1	D2	L	T	C
1-5/16	DS-1621	2.480	2.126	2.883	0.748	1.283
1-3/8	DS-1622	2.638	2.362	2.283	0.748	1.283
1-7/16	DS-1623	2.638	2.362	2.283	0.748	1.283
1-1/2	DS-1624	2.756	2.362	2.441	0.866	1.441
1-9/16	DS-1625	3.071	2.362	2.441	0.866	1.441
1-5/8	DS-1626	3.071	2.362	2.441	0.866	1.441
1-11/16	DS-1627	3.228	2.362	2.638	0.984	1.638
1-3/4	DS-1628	3.228	2.362	2.638	1.005	1.638
1-13/16	DS-1629	3.386	2.362	2.638	1.005	1.638
1-7/8	DS-1630	3.386	2.362	2.756	1.063	1.756
2	DS-1632	3.622	2.362	2.756	1.063	1.756
2-1/8	DS-1634	3.937	2.362	2.953	1.181	1.953
2-3/16	DS-1635	3.937	2.362	3.071	1.260	2.071
2-1/4	DS-1636	3.937	2.362	3.071	1.260	2.071
2-3/8	DS-1638	4.134	2.362	3.228	1.378	2.228
2-1/2	DS-1640	4.291	2.362	3.465	1.378	2.465

Deep Fractional Sizes

SIZE	PART #	D1	D2	L	T	C
1-5/16	DS-1621L	2.480	2.126	3.189	0.748	2.189
1-3/8	DS-1622L	2.638	2.362	3.189	0.748	2.189
1-7/16	DS-1623L	2.638	2.362	3.189	0.748	2.189
1-1/2	DS-1624L	2.756	2.362	3.425	0.866	2.425
1-9/16	DS-1625L	3.071	2.362	3.425	0.866	2.425
1-5/8	DS-1626L	3.071	2.362	3.465	0.866	2.465
1-11/16	DS-1627L	3.228	2.362	3.465	0.984	2.465
1-3/4	DS-1628L	3.228	2.362	3.465	1.005	2.465
1-13/16	DS-1629L	3.386	2.362	3.465	1.005	2.465
1-7/8	DS-1630L	3.386	2.362	3.465	1.063	2.465
2	DS-1632L	3.622	2.362	3.465	1.063	2.465
2-1/8	DS-1634L	3.937	2.362	3.819	1.181	2.819
2-3/16	DS-1635L	3.937	2.362	3.819	1.260	2.819
2-1/4	DS-1636L	3.937	2.362	3.937	1.260	2.937
2-3/8	DS-1638L	4.134	2.362	3.937	1.378	2.937
2-1/2	DS-1640L	4.291	2.362	3.937	1.378	2.937

Accessories

Adapters

PART #	D1	D2	L
A1612	1	3/4	2.750
A1624	1	1-1/2	3.346
A1695	1	#5 Spline	4.330

Extensions

PART #	D1	L
E1604	2.125	4
E1605	2.125	5
E1606	2.125	6
E1607	2.125	7
E1610	2.125	10
E1613	2.125	13

Universal Joint

SIZE	PART #
1	U1616

Double Ended Female Adapters

PART #	D1	D2	L
AN1612	1	3/4	2.48
AN1616	1	1	2.32
AN2416	1	1-1/2	3.27

Retaining Rings and Pins

SQUARE DRIVE	THROUGH HEX SIZE	PIN #	RING #
1	2-3/4 - 70mm	P1654	R1654
1	3-5/16 - 100mm	P1686	R1686
1	Above 3-5/16	P16127	R16127

Double Ended Male Extensions

PART #	D1	L
Z1603	1.3	3
Z1604	1.3	4
Z1605	1.3	5
Z1606	1.3	6
Z1607	1.3	7
Z1610	1.3	10
Z1613	1.3	13
Z1615	1.3	15
Z1616	1.3	16
Z1617	1.3	17