

SEAL KIT DATA

Part No.	Qty.	Description
Seal Kit Part No. 09602		
00016	1	O-Ring
00026	1	O-Ring
00255	2	O-Ring
00717	1	O-Ring
01211	2	O-Ring
01276	1	O-Ring
01605	2	O-Ring
04888	1	O-Ring
06533	1	O-Ring
08015	2	Spiral Back-Up Ring
08125	1	Seal Back-Up Washer
08180	1	Back-Up Ring
19981	1	Inst Sheet Seal Kit
22064	1	Rod Wiper

PARTS LIST

Item No.	Part No.	Qty.	Description
1	08137	1	Motor Housing Assy (Includes Items 2 thru 4)
2	08123	1	Idle Shaft
3	08126	1	Pilot Ring
4	08146	2	Bushing - Garlock 20DU12
5	00255	2	O-Ring, 4 x 4-1/8 x 1/16 70 Duro ☉
6	04888	1	O-Ring, 1-1/4 x 1-7/16 x 3/32 70 Duro ☉
7	08180	1	Back-Up Ring - 124 ☉
8	08125	1	Seal Back-Up Washer ☉
9	00663	1	Retaining Ring
10	08148	1	Needle Bearing
11	08147	2	Thrust Race
12	24679	1	Integral Frame with Pins (Includes Items 54) *
	19549	1	Integral Frame with Pins (Includes Items 54)
13	08150	1	Remote Handle Bracket
14	23134	1	Impact Mechanism (Includes Items 12, 47, 48 & 53) *
	19461	1	Impact Mechanism (Includes Items 12, 47, 48 & 53)
	24757	1	Impact Mechanism (U/W) (Includes Items 12, 47, 48, 52 & 53) *
	19502	1	Impact Mechanism (U/W) (Includes Items 12, 47, 48, 52 & 53)
15	08130	1	Handle
16	00144	4	Capscrew, 5-16 - 18 x 1-1/4 HSH
	00230	4	Capscrew, 5-16 - 18 x 1-1/4 HSH (U/W)
17	00145	6	Lockwasher, 5/16
	00231	6	Lockwasher, 5/16 (U/W)
18	07984	1	Relief Adjustment Screw
19	00429	1	Nut, 5/16 - 18
	09277	1	Nut, 5/16 - 18 (U/W)
20	00706	8	Lockwasher, 1/2
	00697	8	Lockwasher, 1/2 (U/W)
21	08151	8	Capscrew, 1/2-13 x 1-3/4 HSH
	09284	8	Capscrew, 1/2-13 x 1-3/4 HSH (U/W)
22	08136	1	Main Shaft
23	08128	1	Idle Gear Assy
24	08138	1	Valve Housing Assy (Includes Item 4)
25	00016	1	O-Ring, 9/16 x 11/16 x 1/16 70 Duro ☉
26	00717	1	O-Ring, 1/4 x 3/8 x 1/16 70 Duro ☉
27	08139	1	Reversing Spool
28	01211	2	O-Ring, 5/8 x 3/4 x 1/16 70 Duro ☉
29	08015	2	Back-Up Ring - 016 ☉
30	08016	1	Retaining Ring
	09275	1	Retaining Ring (U/W)
31	04939	1	Lever
32	01607	1	Setscrew, 1/4-20 x 1/4 Cup Point HSH
	00580	1	Setscrew, 1/4-20 x 1/4 Cup Point HSH S.S. (U/W)
33	08133	1	Trigger
34	05965	1	Roll Pin, 1/4 x 1-1/2 S.S.
35	00936	2	Adaptor
36	07982	1	Spring Rest
37	08131	1	Spring
38	08122	1	Spring
39	08135	1	Relief Poppet
40	07986	1	Relief Seal
41	07998	1	Spool Weldment - Open Center
	07992	1	Spool Weldment - Closed Center
42	06533	1	O-Ring, 1.171 x 1.403 x .116 90 Duro ☉
43	22063	1	Spool Cap
44	00026	1	O-Ring, 3/16 x 5/16 x 1/16 70 Duro ☉
45	23678	1	Headed Push Pin
46	09612	1	GPM Sticker
47	24678	1	Anvil *
	09090	1	Anvil
48	24677	2	Hammer *
	09092	1	Hammer
49	06345	2	Plastic Plug
50	08153	1	Name Tag
51	12412	1	Danger Sticker
52	01276	1	O-Ring, 1-5/8 x 1-13/16 x 3/32 (U/W) ☉
53	24682	1	Hammer Case Assy *
	09089	1	Hammer Case Assy
	24758	1	Hammer Case Assy (U/W) *
	13349	1	Hammer Case Assy (U/W)
54	24680	2	Hammer Pins *
	19460	2	Hammer Pins
55	22064	1	Rod Wiper ☉
56	23817	1	Thrust Spacer *

NOTE: Use Part Number and Part Name when ordering.

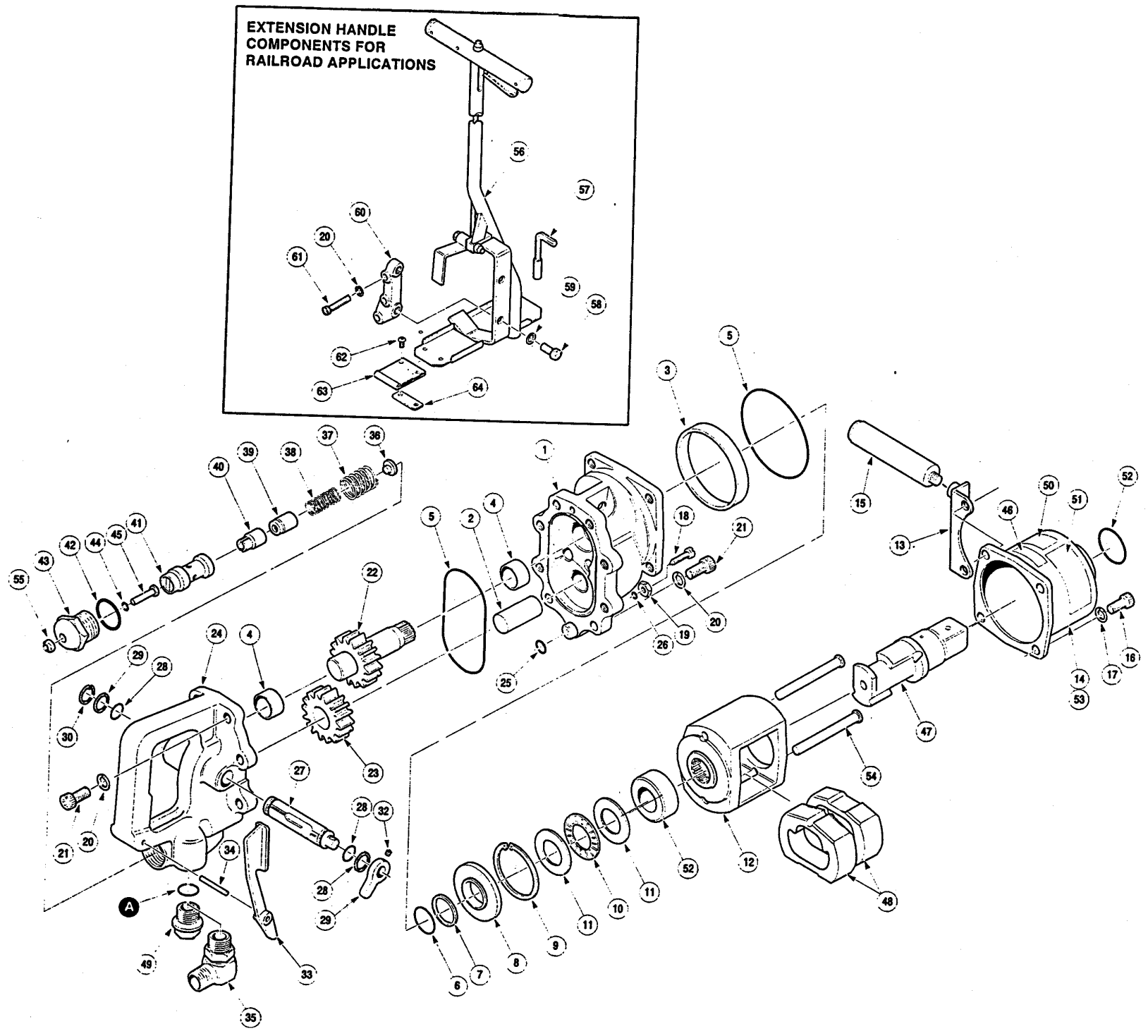
☉ Denotes Part in Seal Kit.

* Used with Twin Hammer Mechanism Only

U/W Underwater Models

Ⓐ Supplied as Part of Item 35 or 49

**EXTENSION HANDLE
COMPONENTS FOR
RAILROAD APPLICATIONS**



SEAL KIT DATA

Part No.	Qty.	Description
Seal Kit Part No. 09602		
00016	1	O-Ring
00026	1	O-Ring
00255	2	O-Ring
00717	1	O-Ring
01211	2	O-Ring
01605	2	O-Ring
04888	1	O-Ring
06533	1	O-Ring
08015	2	Spiral Back-Up Ring
08125	1	Seal Back-Up Washer
08180	1	Back-Up Ring
19981	1	Inst Sheet Seal Kit
22064	1	Rod Wiper

PARTS LIST

Item No.	Part No.	Qty.	Description
1	08137	1	Motor Housing Assy (Includes Items 2 thru 4)
2	08123	1	Idler Shaft
3	08126	1	Pilot Ring
4	08146	2	Bushing - Garlock 20DU12
5	00255	2	O-Ring, 4 x 4-1/8 x 1/16 70 Duro ☉
6	04888	1	O-Ring, 1-1/4 x 1-7/16 x 3/32 70 Duro ☉
7	08180	1	Back-Up Ring - 124 ☉
8	08125	1	Seal Back-Up Washer ☉
9	00663	1	Retaining Ring
10	08148	1	Needle Bearing
11	08147	2	Thrust Race
12	24679	1	Integral Frame with Pins (Includes Items 54)
13	08150	1	Remote Handle Bracket
14	23134	1	Impact Mechanism (Includes Items 12, 47, 48 & 53)
15	08130	1	Handle
16	00144	4	Capscrew, 5-16 - 18 x 1-1/4 HSH
17	00145	6	Lockwasher, 5/16
18	07984	1	Relief Adjustment Screw
19	00429	1	Nut, 5/16 - 18
20	00706	8	Lockwasher, 1/2
21	08151	5	Capscrew, 1/2-13 x 1-3/4 HSH
22	08136	1	Main Shaft
23	08128	1	Idler Gear Assy
24	17279	1	Handle Assy (Includes Item 4)
25	00016	1	O-Ring, 9/16 x 11/16 x 1/16 70 Duro ☉
26	00717	1	O-Ring, 1/4 x 3/8 x 1/16 70 Duro ☉
27	08139	1	Reversing Spool
28	01211	2	O-Ring, 5/8 x 3/4 x 1/16 70 Duro ☉
29	08015	2	Back-Up Ring - 016 ☉
30	08016	1	Retaining Ring
31	04939	1	Lever
32	01607	1	Setscrew, 1/4-20 x 1/4 Cup Point HSH
33	08133	1	Trigger
34	05965	1	Roll Pin, 1/4 x 1-1/2 S.S.
35	17281	2	Adaptor
36	07982	1	Spring Rest
37	08131	1	Spring
38	08122	1	Spring
39	08135	1	Relief Poppet
40	07986	1	Relief Seal
41	07998	1	Spool Weldment - Open Center
42	06533	1	O-Ring, 1.171 x 1.403 x .116 90 Duro ☉
43	22063	1	Spool Cap
44	00026	1	O-Ring, 3/16 x 5/16 x 1/16 70 Duro ☉
45	23678	1	Headed Push Pin
46	09612	1	GPM Sticker
47	24678	1	Anvil
48	24677	2	Hammer
49	06345	2	Plastic Plug
50	08153	1	Name Tag
51	12412	1	Danger Sticker
52	23817	1	Thrust Spacer
53	24682	1	Hammer Case Assy
54	24680	2	Hammer Pins
55	22064	1	Rod Wiper ☉
56	21092	1	Remote Handle Assy
57	21900	1	Allen Wrench Assy
58	21094	2	Capscrew, 5/8 - 11UNC x 1 1/4 HSH
59	04786	2	Lockwasher, 5/8
60	17263	1	Anchor Block Assy
61	17280	3	Capscrew, 1/2 - 13 x 2 1/4 HSH
62	01347	2	Capscrew, 3/8 - 24 x 1/2
63	17264	1	Guard Cover
64	18695	1	Retainer Plate
--	21102	1	Kit (Not Shown)
--	23096	2	Pigtail Hose Assy (Not Shown)

NOTE: Use Part Number and Part Name when ordering.

☉ Denotes Part in Seal Kit.

Ⓐ Supplied as Part of Item 35 or 49