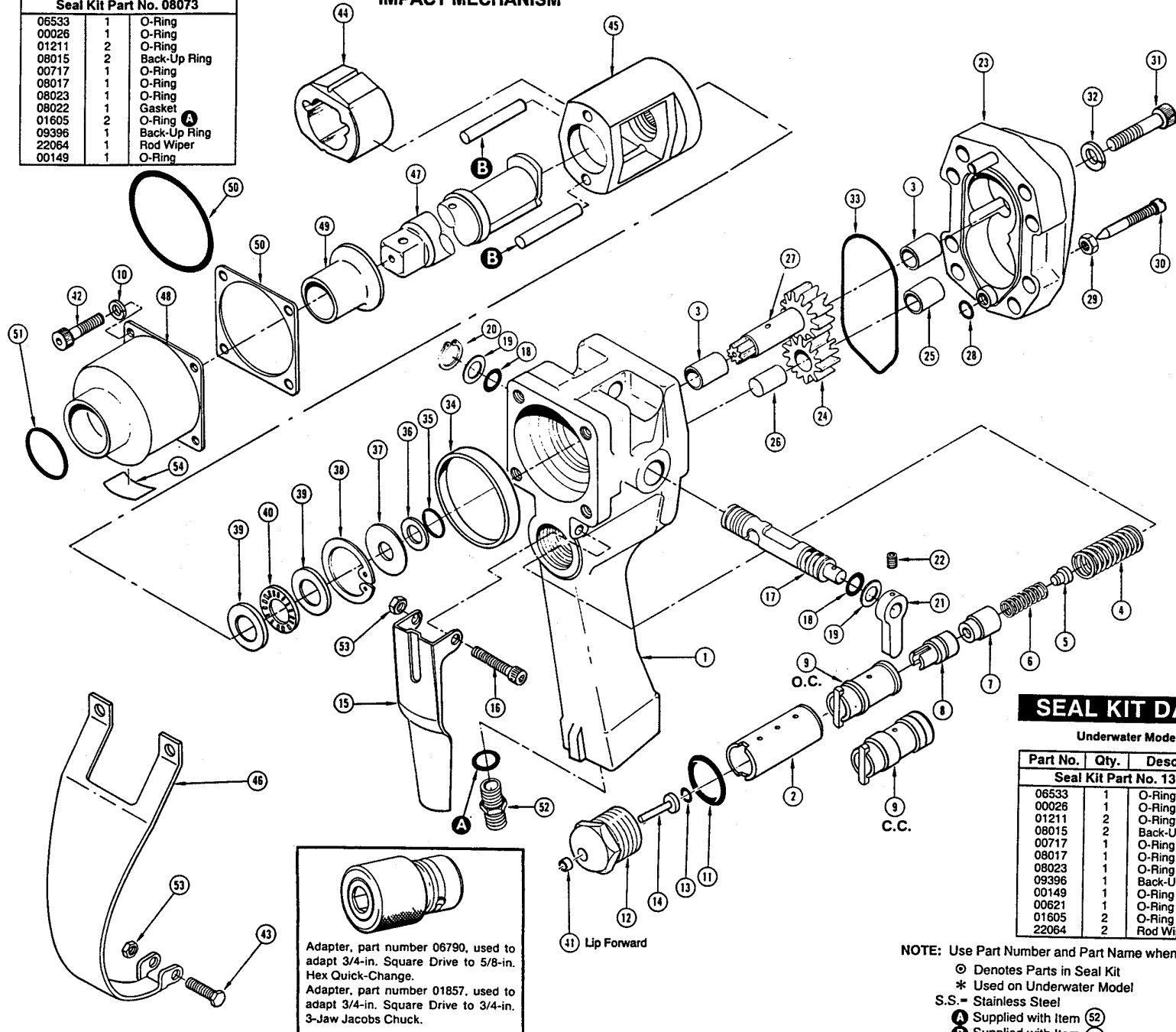


# SEAL KIT DATA

Land Model		
Part No.	Qty.	Description
Seal Kit Part No. 08073		
06533	1	O-Ring
00026	1	O-Ring
01211	2	O-Ring
08015	2	Back-Up Ring
00717	1	O-Ring
08017	1	O-Ring
08023	1	O-Ring
08022	1	Gasket
01605	2	O-Ring <b>A</b>
09396	1	Back-Up Ring
22064	1	Rod Wiper
00149	1	O-Ring

## MODELS WITH STANDARD IMPACT MECHANISM



# SEAL KIT DATA

Underwater Model		
Part No.	Qty.	Description
Seal Kit Part No. 13695		
06533	1	O-Ring
00026	1	O-Ring
01211	2	O-Ring
08015	2	Back-Up Ring
00717	1	O-Ring
08017	1	O-Ring
08023	1	O-Ring
09396	1	Back-Up Ring
00149	1	O-Ring
00621	1	O-Ring <b>A</b>
01605	2	O-Ring <b>A</b>
22064	2	Rod Wiper

NOTE: Use Part Number and Part Name when ordering.

⊗ Denotes Parts in Seal Kit

\* Used on Underwater Model

S.S. = Stainless Steel

**A** Supplied with Item **52**

**A** Supplied with Item **52**

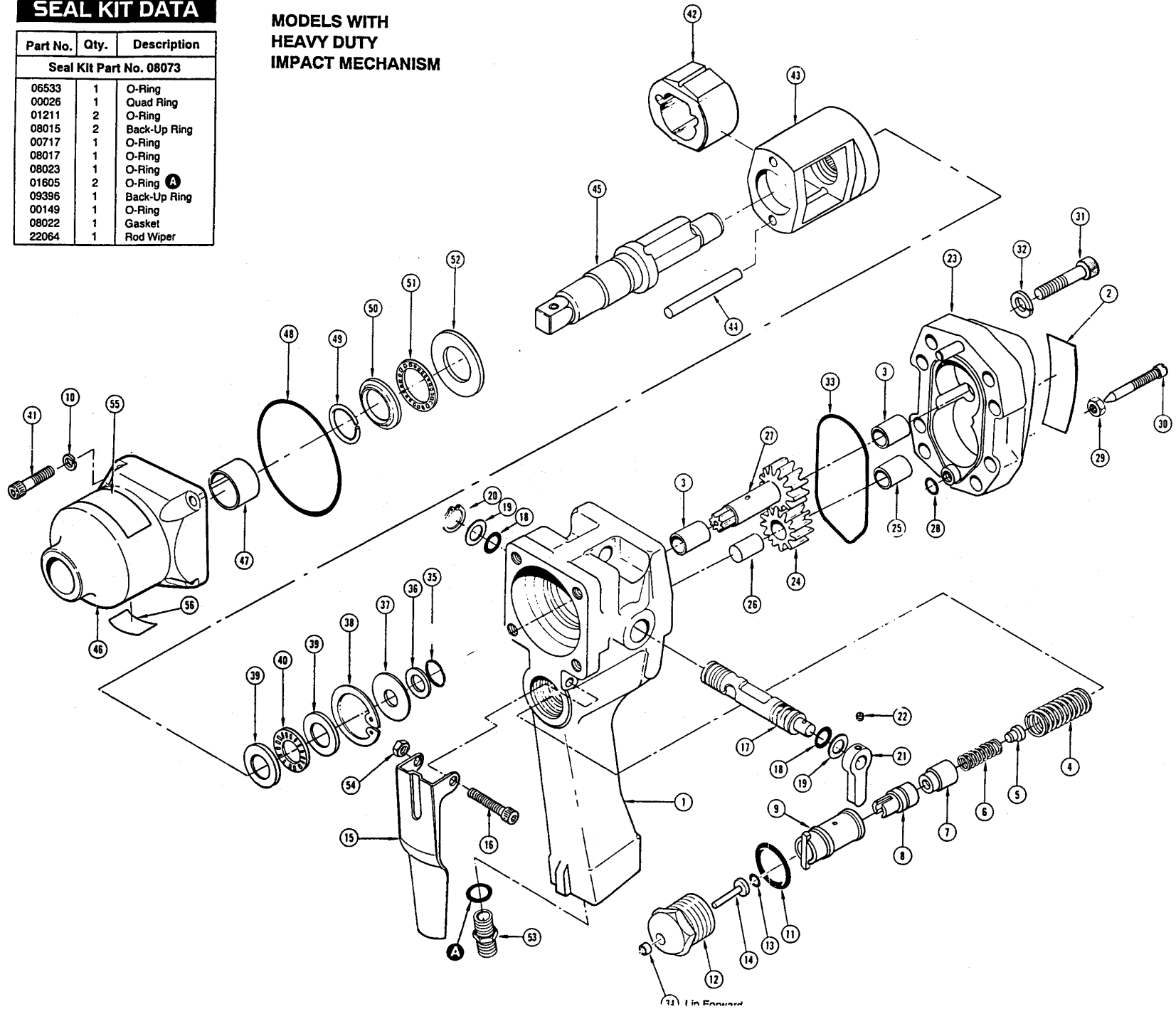
# PARTS LIST

Item No.	Part No.	Qty.	Description
1	07999	1	Main Housing Assy
	12778	1	Main Housing Assy *
2	07994	1	Valve Sleeve
3	08014	2	Du Bushing - Garlock 14Du12
4	07988	1	Spring
5	07982	1	Spring Rest
6	07985	1	Spring
7	07993	1	Relief Poppet
8	07986	1	Relief Seat
9	07998	1	Valve Spool - Open Center
	09903	1	Valve Spool - Closed Center
10	00145	4	Lockwasher, 5/16
	00231	4	Lockwasher, 5/16 S.S. *
11	06533	1	O-Ring, 1.171 x 1.403 x .116 ⊙
12	22063	1	Spool Cap *
	08000	1	Spool Cap
13	00026	1	O-Ring, 3/16 x 5/16 x 1/16 ⊙
14	06634	1	Needle Roller, 3/16 x 1 Plated
	23678	1	Headed Push Pin *
15	07996	1	Trigger
	12283	1	Trigger *
16	00025	1	Capscrew, 10-24 x 1 3/4 Hex Soc Head
	00786	1	Capscrew, 10-24 x 1 3/4 Hex Soc Head S.S. *
17	08002	1	Reversing Spool
18	01211	2	O-Ring, 5/8 x 3/4 x 1/16 ⊙
19	08015	2	Back-Up Ring ⊙
20	08016	1	Retaining Ring .750 Ext.
	09275	1	Retaining Ring .750 Ext. S.S. *
21	04939	1	Lever
22	00720	1	Setscrew 1/4-20 x 3/8
	00580	1	Setscrew 1/4-20 x 1/4 S.S. *
23	07997	1	Motor Cap Assy (Incl. Item 3)
24	07989	1	Idler Gear Assy (Incl. Item 25)
25	07978	1	Idler Gear Bushing
26	07991	1	Idler Shaft
27	08001	1	Main Shaft
28	00717	1	O-Ring, 1/4 x 3/8 x 1/16 ⊙
29	00429	1	Nut, 5/16-18
	09277	1	Nut, 5/16-18 S.S. *
30	19453	1	Relief Adjustment Screw
31	00682	8	Capscrew - 3/8-16 x 1 3/4 Hex Soc Head
	01870	8	Capscrew - 3/8-16 x 1 3/4 Hex Soc Head S.S. *
32	01459	8	Lockwasher, 3/8
	00812	8	Lockwasher, 3/8 S.S. *
33	08023	1	O-Ring, 3.300 x 3.400 x .070 ⊙
34	07980	1	Pilot Ring
35	08017	1	O-Ring, 7/8 x 1 1/16 x 3/32 ⊙
36	09396	1	Back-Up Ring ⊙
37	07987	1	Back-Up Washer
38	00166	1	Retaining Ring
39	08019	2	Thrust Race
40	08020	1	Thrust Bearing
41	22064	1	Rod Wiper ⊙ *
42	02685	4	Capscrew, 5/15-18 x 7/8 Hex Soc Head
	10566	4	Capscrew, 5/15-18 x 7/8 Hex Soc Head S.S. *
43	12287	1	Capscrew, 10-24 x 1 Hex Soc Head S.S. * (Incl. Item 53)
44	08067	1	Hammer
45	19456	1	Hammer Frame Assy (Incl. Hammer Pins)
46	12285	1	Trigger Guard *
47	08070	1	Anvil - 3/4 Square Drive
	10881	1	Anvil - 3/4 Square Drive 12" Long
	12784	1	Anvil *
48	08071	1	Hammer Case Assy (Incl. Item 49)
	12785	1	Hammer Case Assy *
49	08072	1	Hammer Case Bushing
	13694	1	Hammer Case Bushing *
50	08022	1	Hammer Case Gasket ⊙
	00149	1	O-Ring, 3 1/4 x 3 3/8 x 1/16 042 R16 ⊙ *
51	00621	1	O-Ring ⊙ *
52	00936	2	Adapter, 1/2 SAE to 3/8 NPT Male
53	06971	2	Locknut, 10-24
54	03693	1	Sticker, Closed Center
	19457		Impact Mechanism - 3/4 Square Drive
	12783		Impact Mechanism, u/w - 3/4 Square Drive *
	10882		Impact Mechanism - 3/4 Square Drive - 12" Extd

# SEAL KIT DATA

Part No.	Qty.	Description
Seal Kit Part No. 08073		
06533	1	O-Ring
00026	1	Quad Ring
01211	2	O-Ring
08015	2	Back-Up Ring
00717	1	O-Ring
08017	1	O-Ring
08023	1	O-Ring
01605	2	O-Ring <b>A</b>
09396	1	Back-Up Ring
00149	1	O-Ring
08022	1	Gasket
22064	1	Rod Wiper

## MODELS WITH HEAVY DUTY IMPACT MECHANISM



# PARTS LIST

Item No.	Part No.	Qty.	Description
1	07999	1	Main Housing Assy
2	08012	1	Name Tag
3	08014	2	Du Bushing - Garlock 14Du12
4	07988	1	Spring
5	07982	1	Spring Rest
6	07985	1	Spring
7	07993	1	Relief Poppet
8	07986	1	Relief Seat
9	07998	1	Valve Spool - Open Center
10	00145	4	Lockwasher, 5/16
11	06533	1	O-Ring, 1.171 x 1.403 x 0.116 ⊙
12	22063	1	Spool Cap
13	00026	1	O-Ring, 3/16 x 5/16 x 1/16 ⊙
14	23678	1	Headed Push Pin
15	07996	1	Trigger
16	00025	1	Capscrew, 10-24 x 1 3/4 Hex Soc Head
17	08002	1	Reversing Spool
18	01211	2	O-Ring, 5/8 x 3/4 x 1/16 ⊙
19	08015	2	Back-Up Ring ⊙
20	08016	1	Retaining Ring, 0.750 Ext
21	04939	1	Lever
22	00720	1	Setscrew, 1/4-20 x 3/8
23	07997	1	Motor Cap Assy (Incl Item 3)
24	07989	1	Idler Gear Assy (Incl Item 25)
25	07978	1	Idler Gear Bushing
26	07991	1	Idler Shaft
27	08001	1	Main Shaft
28	00717	1	O-Ring, 1/4 x 3/8 x 1/16 ⊙
29	00429	1	Nut, 5/16-18
30	19453	1	Relief Adjustment Screw
31	00682	8	Capscrew, 3/8-16 x 1 3/4 Hex Soc Head
32	01459	8	Lockwasher, 3/8
33	08023	1	O-Ring, 3.300 x 3.400 x 0.070 ⊙
34	22064	1	Wiper ⊙
35	08017	1	O-Ring, 7/8 x 1 1/16 x 3/32 ⊙
36	09396	1	Back-Up Ring ⊙
37	07987	1	Back-Up Washer
38	00166	1	Retaining Ring
39	08019	2	Thrust Race
40	08020	1	Thrust Bearing
41	02685	4	Capscrew, 5/16-18 x 7/8 Hex Soc Head
	22729	1	Impact Mechanism, Std
	20490	1	Impact Mechanism, w/Extended Anvil and Assist Handle
42	08067	1	Hammer
43	20257	1	Hammer Frame
44	08069	2	Hammer Pin
45	22728	1	Anvil - 3/4 Square Drive - Standard
	20263	1	Anvil - 3/4 Square Drive - 12 in Extended
46	20256	1	Hammer Case Assy
	20255	1	Hammer Case Assy w/Assist Handle
47	20258	1	Hammer Case Bushing
48	00149	1	O-Ring, 3 1/4 x 3/38 x 1/16 042 R16 ⊙
49	20262	1	Retaining Ring
50	21408	1	Thrust Bearing Race
51	20260	1	Thrust Bearing
52	20259	1	Retainer
53	00936	2	Adapter, 1/2 SAE to 3/8 NPT Male
54	06971	2	Locknut, 10-24
55	17275	1	Sticker, GPM
56	03693	1	Sticker, Closed Center
	06345	2	Plastic Plug (not illustrated)

NOTE: Use Part Number and Part Name when ordering.

⊙ Denotes Parts in Seal Kit

Ⓐ Supplied with Item (53)