



CH15

HYDRAULIC CHIPPING HAMMER



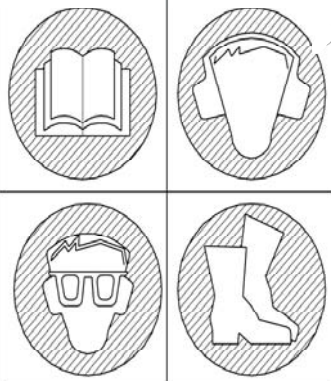
⚠ WARNING

SERIOUS INJURY OR DEATH
COULD RESULT FROM IM-
PROPER REPAIR OR SERVICE
OF THIS TOOL.

REPAIRS AND/OR SERVICE
TO THIS TOOL MUST ONLY
BE DONE BY AN AUTHORIZED
AND CERTIFIED DEALER.

⚠ WARNING

To avoid serious injury or death



Copyright © 2006, The Stanley Works
OPS/MAINT USA
36098 1/2006 Ver 6

SAFETY, OPERATION AND MAINTENANCE USER'S MANUAL

Stanley Hydraulic Tools
3810 SE Naef Road
Milwaukie OR 97267-5698
503-659-5660
FAX 503-652-1780

www.stanley-hydraulic-tools.com

TABLE OF CONTENTS

CERTIFICATE OF CONFORMITY.....	4
SAFETY SYMBOLS.....	6
SAFETY PRECAUTIONS.....	7
TOOL STICKERS & TAGS.....	8
HYDRAULIC HOSE REQUIREMENTS.....	9
HTMA REQUIREMENTS.....	10
OPERATION.....	11
PREOPERATION PROCEDURES.....	11
OPERATING PROCEDURES.....	12
COLD WEATHER OPERATION.....	12
EQUIPMENT PROTECTION & CARE.....	13
TROUBLESHOOTING.....	14
SPECIFICATIONS.....	15
ACCESSORIES.....	15
CH15121 / CH15521 / CH1532101 PARTS ILLUSTRATION.....	16
CH15121 / CH15521 / CH1532101 PARTS LIST.....	17
CH1553101 / CH1513101 / CH1533101 PARTS ILLUSTRATION.....	18
CH1553101 / CH1513101 / CH1533101 PARTS LIST.....	19
WARRANTY.....	20

SERVICING THE STANLEY CHIPPING HAMMER: This manual contains safety, operation, and routine maintenance instructions. Stanley Hydraulic Tools recommends that servicing of hydraulic tools, other than routine maintenance, must be performed by an authorized and certified dealer. Please read the following warning.

 WARNING

SERIOUS INJURY OR DEATH COULD RESULT FROM THE IMPROPER REPAIR OR SERVICE OF THIS TOOL.

REPAIRS AND / OR SERVICE TO THIS TOOL MUST ONLY BE DONE BY AN AUTHORIZED AND CERTIFIED DEALER.

For the nearest authorized and certified dealer, call Stanley Hydraulic Tools at one of the numbers listed on the back of this manual and ask for a Customer Service Representative.

CERTIFICATE OF CONFORMITY



I, the undersigned: Winterling, David
Surname and First names

- Hereby certify that the construction plant or equipment specified hereunder:**
1. Manufacturer: Stanley Hydraulic Tools, 3810 Naef Road, Milwaukie, Oregon USA
 2. Representative in the Union: Stanley Svenska AB, Box 9054, 400 92 Göteborg, SWEDEN
 3. Category: Hydraulic Hand Held Chipping Hammer
 4. Make: Stanley Hydraulic Tools
 5. Type: CH1512101, CH1532101, CH1513101, CH1533101
 6. Type serial number of equipment: ALL
 7. Year of manufacture: Beginning 2002

Has been manufactured in conformity with the provisions of the Machinery Directive 98/37/EC

Harmonized standard applied: EN 792-4

We also declare that it meets the specification of Noise Directive 2000/14/EC, measured in accordance to the Conformity Evaluation Method set out in Annex VI para. 5 and evaluated during production as in Annex VI para. 6, 2nd procedure.

8. Noise related value: 8 kg
9. Measured sound power on equipment representative of this type: 100 LwA
10. Guaranteed sound power level for this equipment: 105 LwA

11. Notified body for EC directive 2000/14/EC: 0404 SMP Svensk Maskinprovning AB
Fyrisborgsgatan 3
754 50 Uppsala, SWEDEN

12. Special Provisions: None

Issued at Stanley Hydraulic Tools, Milwaukie, Oregon USA
Date: 8/21/02

Signature 

Position: Engineering Manager

CERTIFICATE OF CONFORMITY



I, the undersigned:

Winterling, David

Surname and First names

Hereby certify that the construction plant or equipment specified hereunder:

- 1. Manufacturer: Stanley Hydraulic Tools, 3810 Naef Road, Milwaukie, Oregon USA
- 2. Representative in the Union: Stanley Svenska AB, Box 9054, 400 92 Göteborg, SWEDEN
- 3. Category: Hydraulic Hand Held Chipping Hammer
- 4. Make: Stanley Hydraulic Tools
- 5. Type: CH1552101, CH1553101
- 6. Type serial number of equipment: ALL
- 7. Year of manufacture: Beginning 2002

Has been manufactured in conformity with the provisions of the Machinery Directive 98/37/EC

Harmonized standard applied: EN 792-4

We also declare that it meets the specification of Noise Directive 2000/14/EC, measured in accordance to the Conformity Evaluation Method set out in Annex VI para. 5 and evaluated during production as in Annex VI para. 6, 2nd procedure.

- 8. Noise related value: 8 kg
- 9. Measured sound power on equipment representative of this type: 98 LwA
- 10. Guaranteed sound power level for this equipment: 105 LwA

11. Notified body for EC directive 2000/14/EC: 0404

SMP Svensk Maskinprovning AB
Fyrisborgsgatan 3
754 50 Uppsala, SWEDEN

12. Special Provisions: None

Issued at Stanley Hydraulic Tools, Milwaukie, Oregon USA
Date: 8/21/02

Signature

Position: Engineering Manager

SAFETY SYMBOLS

Safety symbols and signal words, as shown below, are used to emphasize all operator, maintenance and repair actions which, if not strictly followed, could result in a life-threatening situation, bodily injury or damage to equipment.



This is the safety alert symbol. It is used to alert you to potential personal injury hazards. Obey all safety messages that follow this symbol to avoid possible injury or death.



This safety alert and signal word indicate an imminently hazardous situation which, if not avoided, will result in death or serious injury.



This safety alert and signal word indicate a potentially hazardous situation which, if not avoided, could result in death or serious injury.



This safety alert and signal word indicate a potentially hazardous situation which, if not avoided, may result in minor or moderate injury.



This signal word indicates a potentially hazardous situation which, if not avoided, may result in property damage.



This signal word indicates a situation which, if not avoided, will result in damage to the equipment.



This signal word indicates a situation which, if not avoided, may result in damage to the equipment.

Always observe safety symbols. They are included for your safety and for the protection of the tool.

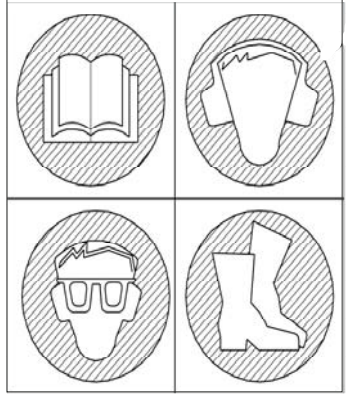
LOCAL SAFETY REGULATIONS

Enter any local safety regulations here. Keep these instructions in an area accessible to the operator and maintenance personnel.

SAFETY PRECAUTIONS

▲ WARNING

To avoid serious injury or death



Tool operators and maintenance personnel must always comply with the safety precautions given in this manual and on the stickers and tags attached to the tool and hose.

These safety precautions are given for your safety. Review them carefully before operating the tool and before performing general maintenance or repairs.

Supervising personnel should develop additional precautions relating to the specific work area and local safety regulations. If so, place the added precautions in the space provided on page 6.

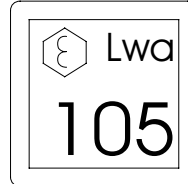
The CH15 Hydraulic Chipping Hammer will provide safe and dependable service if operated in accordance with the instructions given in this manual. Read and understand this manual and any stickers and tags attached to the tool and hoses before operation. Failure to do so could result in personal injury or equipment damage.

- Operator must start in a work area without bystanders. The operator must be familiar with all prohibited work areas such as excessive slopes and dangerous terrain conditions.
- Establish a training program for all operators to ensure safe operation.
- Do not operate the tool unless thoroughly trained or under the supervision of an instructor.
- Always wear safety equipment such as goggles, ear, head protection, and safety shoes at all times when operating the tool.
- Do not inspect or clean the tool while the hydraulic power source is connected. Accidental engagement of the tool can cause serious injury.
- Supply hoses must have a minimum working pressure rating of 2500 psi/175 bar.
- Be sure all hose connections are tight.
- The hydraulic circuit control valve must be in the “OFF” position when coupling or uncoupling the tool. Wipe all couplers clean before connecting. Use only lint-free cloths. Failure to do so may result in damage to the quick couplers and cause overheating of the hydraulic system.
- Do not operate the tool at oil temperatures above 140°F/60°C. Operation at higher oil temperatures can cause operator discomfort and may damage the tool.
- Do not operate a damaged, improperly adjusted, or incompletely assembled tool.
- Do not weld, cut with an acetylene torch, or hardface the tool bit.
- To avoid personal injury or equipment damage, all tool repair, maintenance and service must only be performed by authorized and properly trained personnel.
- Do not exceed the rated limits of the tool or use the tool for applications beyond its design capacity.
- Always keep critical tool markings, such as labels and warning stickers legible.
- Always replace parts with replacement parts recommended by Stanley Hydraulic Tools.
- Check fastener tightness often and before each use daily.

TOOL STICKERS & TAGS



28323 CE Sticker



66654 Sound Power Level Sticker



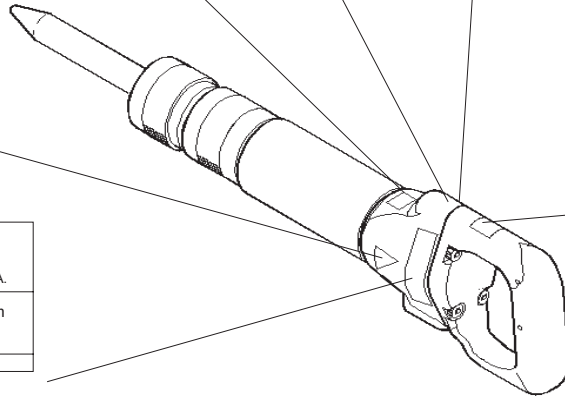
11206 Circuit
"C" Sticker



11207 Circuit
"D" Sticker

11206 CIRCUIT "C" STICKER (5gpm)
11207 CIRCUIT "D" STICKER (8gpm)

Serial Number
Stamping



28409 Composite Sticker

STANLEY	Stanley Hydraulic Tools 3810 SE Naef Rd Milwaukie, Oregon 97267 U.S.A.
	Model No. CH15
	26-34 lpm / 7-9 gpm 140 bar / 2000 psi

33513 Name Tag Sticker
(CH15521, CH1553101)
36112 Name Tag Sticker
(CH15121, CH1532101,
CH1513101, CH1533101)

The safety tag (p/n 15875) at right is attached to the tool when shipped from the factory. Read and understand the safety instructions listed on this tag before removal. We suggest you retain this tag and attach it to the tool when not in use.

DANGER

1. FAILURE TO USE HYDRAULIC HOSE LABELED AND CERTIFIED AS **NON-CONDUCTIVE** WHEN USING HYDRAULIC TOOLS ON OR NEAR ELECTRICAL LINES MAY RESULT IN DEATH OR SERIOUS INJURY.

BEFORE USING HOSE LABELED AND CERTIFIED AS **NON-CONDUCTIVE** ON OR NEAR ELECTRICAL LINES BE SURE THE HOSE IS **MAINTAINED AS NON-CONDUCTIVE**. THE HOSE SHOULD BE REGULARLY TESTED FOR ELECTRIC CURRENT LEAKAGE IN ACCORDANCE WITH YOUR SAFETY DEPARTMENT INSTRUCTIONS.

2. A HYDRAULIC LEAK OR BURST MAY CAUSE OIL INJECTION INTO THE BODY OR CAUSE OTHER SEVERE PERSONAL INJURY.

A. **DO NOT EXCEED SPECIFIED FLOW AND PRESSURE FOR THIS TOOL. EXCESS FLOW OR PRESSURE MAY CAUSE A LEAK OR BURST.**

B. **DO NOT EXCEED RATED WORKING PRESSURE OF HYDRAULIC HOSE USED WITH THIS TOOL. EXCESS PRESSURE MAY CAUSE A LEAK OR BURST.**

C. CHECK TOOL HOSE COUPLERS AND CONNECTORS DAILY FOR LEAKS. **DO NOT FEEL FOR LEAKS WITH YOUR HANDS. CONTACT WITH A LEAK MAY RESULT IN SEVERE PERSONAL INJURY.**

IMPORTANT

READ OPERATION MANUAL AND SAFETY INSTRUCTIONS FOR THIS TOOL BEFORE USING IT.

USE ONLY PARTS AND REPAIR PROCEDURES APPROVED BY STANLEY AND DESCRIBED IN THE OPERATION MANUAL.

TAG TO BE REMOVED ONLY BY TOOL OPERATOR.

SEE OTHER SIDE

DANGER

D. **DO NOT LIFT OR CARRY TOOL BY THE HOSES. DO NOT ABUSE HOSE. DO NOT USE KINKED, TORN OR DAMAGED HOSE.**

3. **MAKE SURE HYDRAULIC HOSES ARE PROPERLY CONNECTED TO THE TOOL BEFORE PRESSURING SYSTEM. SYSTEM PRESSURE HOSE MUST ALWAYS BE CONNECTED TO TOOL "IN" PORT. SYSTEM RETURN HOSE MUST ALWAYS BE CONNECTED TO TOOL "OUT" PORT. REVERSING CONNECTIONS MAY CAUSE REVERSE TOOL OPERATION WHICH CAN RESULT IN SEVERE PERSONAL INJURY.**

4. **DO NOT CONNECT OPEN-CENTER TOOLS TO CLOSED-CENTER HYDRAULIC SYSTEMS. THIS MAY RESULT IN LOSS OF OTHER HYDRAULIC FUNCTIONS POWERED BY THE SAME SYSTEM AND/OR SEVERE PERSONAL INJURY.**

5. **BYSTANDERS MAY BE INJURED IN YOUR WORK AREA. KEEP BYSTANDERS CLEAR OF YOUR WORK AREA.**

6. **WEAR HEARING, EYE, FOOT, HAND AND HEAD PROTECTION.**

7. **TO AVOID PERSONAL INJURY OR EQUIPMENT DAMAGE, ALL TOOL REPAIR MAINTENANCE AND SERVICE MUST ONLY BE PERFORMED BY AUTHORIZED AND PROPERLY TRAINED PERSONNEL.**

IMPORTANT

READ OPERATION MANUAL AND SAFETY INSTRUCTIONS FOR THIS TOOL BEFORE USING IT.

USE ONLY PARTS AND REPAIR PROCEDURES APPROVED BY STANLEY AND DESCRIBED IN THE OPERATION MANUAL.

TAG TO BE REMOVED ONLY BY TOOL OPERATOR.

SEE OTHER SIDE

SAFETY TAG P/N 15875 (shown smaller than actual size)

HYDRAULIC HOSE REQUIREMENTS

HOSE TYPES

Hydraulic hose types authorized for use with Stanley Hydraulic Tools are as follows:

- ❶ Certified non-conductive
- ❷ Wire-braided (conductive)
- ❸ Fabric-braided (not certified or labeled non-conductive)

Hose ❶ listed above is the only hose authorized for use near electrical conductors.

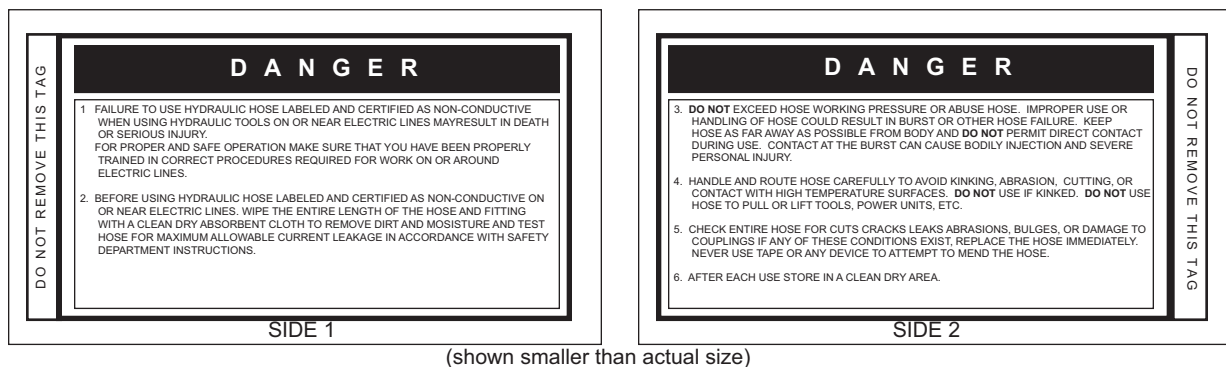
Hoses ❷ and ❸ listed above are **conductive** and **must never** be used near electrical conductors.

HOSE SAFETY TAGS

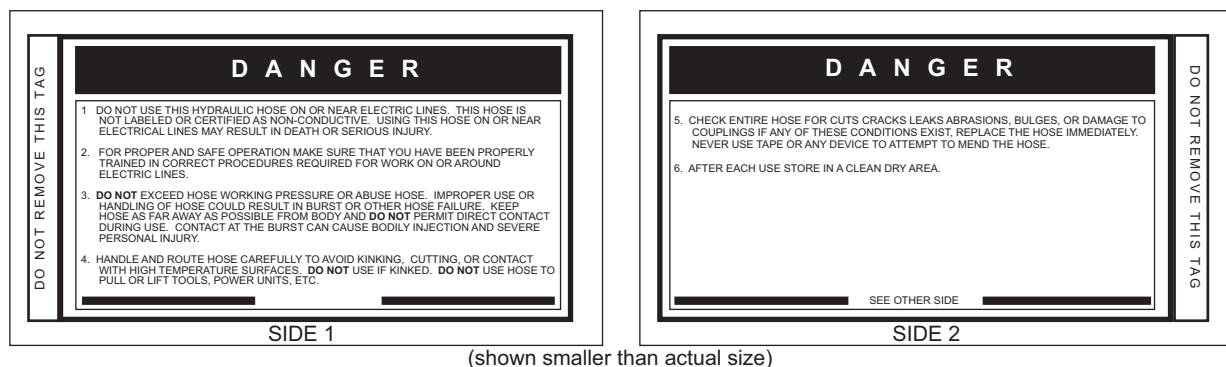
To help ensure your safety, the following DANGER tags are attached to all hose purchased from Stanley Hydraulic Tools. **DO NOT REMOVE THESE TAGS.**

If the information on a tag is illegible because of wear or damage, replace the tag immediately. A new tag may be obtained from your Stanley Distributor.

THE TAG SHOWN BELOW IS ATTACHED TO “CERTIFIED NON-CONDUCTIVE” HOSE



THE TAG SHOWN BELOW IS ATTACHED TO “CONDUCTIVE” HOSE.



HOSE PRESSURE RATING

The rated working pressure of the hydraulic hose **must be equal to or higher than** the relief valve setting on the hydraulic system.

HTMA REQUIREMENTS

TOOL CATEGORY



HYDRAULIC SYSTEM REQUIREMENTS

TYPE 1

TYPEII

TYPEIII

TYPE RR

FLOW RATE	4-6 gpm (15-23 lpm)	7-9 gpm (26-34 lpm)	11-13 gpm (42-49 lpm)	9-10.5 gpm (34-40 lpm)
TOOL OPERATING PRESSURE (at the power supply outlet)	2000 psi (138 bar)	2000 psi (138 bar)	2000 psi (138 bar)	2000 psi (138 bar)
SYSTEM RELIEF VALVE SETTING (at the power supply outlet)	2100-2250 psi (145-155 bar)	2100-2250 psi (145-155 bar)	2100-2250 psi (145-155 bar)	2200-2300 psi (152-159 bar)
MAXIMUM BACK PRESSURE (at tool end of the return hose)	250 psi (17 bar)	250 psi (17 bar)	250 psi (17 bar)	250 psi (17 bar)
Measured at a max. fluid viscosity of: (at min. operating temperature)	400 ssu* (82 centistokes)	400 ssu* (82 centistokes)	400 ssu* (82 centistokes)	400 ssu* (82 centistokes)
TEMPERATURE Sufficient heat rejection capacity to limit max. fluid temperature to: (at max. expected ambient temperature)	140° F (60° C)	140° F (60° C)	140° F (60° C)	140° F (60° C)
Min. cooling capacity at a temperature difference of between ambient and fluid temps	3 hp (2.24 kW) 40° F (22° C)	5 hp (3.73 kW) 40° F (22° C)	7 hp (4.47 kW) 40° F (22° C)	6 hp (5.22 kW) 40° F (22° C)
NOTE: Do not operate the tool at oil temperatures above 140° F (60° C). Operation at higher temperatures can cause operator discomfort at the tool.				
FILTER Min. full-flow filtration Sized for flow of at least: (For cold temp. startup and max. dirt-holding capacity)	25 microns 30 gpm (114 lpm)	25 microns 30 gpm (114 lpm)	25 microns 30 gpm (114 lpm)	25 microns 30 gpm (114 lpm)
HYDRAULIC FLUID Petroleum based (premium grade, anti-wear, non-conductive) VISCOSITY (at min. and max. operating temps)	100-400 ssu*	100-400 ssu*	100-400 ssu* (20-82 centistokes)	100-400 ssu*
NOTE: When choosing hydraulic fluid, the expected oil temperature extremes that will be experienced in service determine the most suitable temperature viscosity characteristics. Hydraulic fluids with a viscosity index over 140 will meet the requirements over a wide range of operating temperatures.				

*SSU = Saybolt Seconds Universal

NOTE:

These are general hydraulic system requirements. See tool Specification page for tool specific requirements.

OPERATION

PREOPERATION PROCEDURES

PREPARATION FOR INITIAL USE

The tool, as shipped, has no special unpacking or assembly requirements prior to usage. Inspection to assure the tool was not damaged in shipping and does not contain packing debris is all that is required.

CHECK HYDRAULIC POWER SOURCE

1. Using a calibrated flowmeter and pressure gauge, check that the hydraulic power source develops a flow of 7-9 gpm/26-34 lpm at 1500-2000 psi/105-140 bar for the CH15100, 8 gpm model.
2. Make certain the hydraulic power source is equipped with a relief valve set to open at 2100-2250 psi/145-155 bar minimum.
3. Check that the hydraulic circuit matches the tool for open-center (OC) operation.

CHECK TOOL

1. Make sure all tool accessories are correctly installed. Failure to install tool accessories properly can result in damage to the tool or personal injury.
2. There should be no signs of leaks.
3. The tool should be clean, with all fittings and fasteners tight.

CHECK TRIGGER MECHANISM

1. Check that the trigger operates smoothly and is free to travel between the "ON" and "OFF" positions.

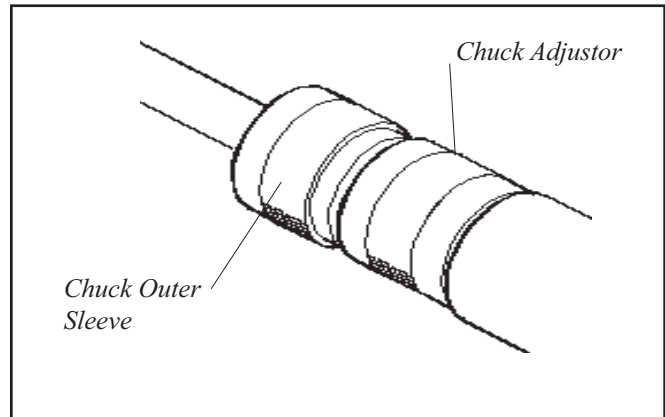
INSTALL TOOL BIT

The CH15521 and CH15121 Chipping Hammers accept standard .580 inch hex shank or .680 round shank tool bits.

TO INSTALL A HEX SHANK TOOL BIT

1. Slide the chuck outer sleeve toward the handle end of the tool and then insert the tool bit. Release the chuck outer sleeve.

2. Try turning the tool bit. If the tool bit does not turn, no further adjustment is necessary. If the tool bit turns, slide the chuck adjustor toward the tool bit end of the tool and then turn it clockwise to close the hex blocks against the tool bit shank. When the chuck adjustor is properly set, it should "click" into place and the tool bit should not turn.



Installing The Tool Bit

TO INSTALL A ROUND SHANK TOOL BIT

1. Slide the chuck outer sleeve toward the handle end of the tool and then insert the tool bit. Release the chuck outer sleeve.
 2. If the tool bit can be inserted fully, no other adjustments are necessary. If the tool bit cannot be inserted fully, slide the chuck adjustor toward the tool bit end of the tool and then turn it counter clockwise to open the hex blocks and allow room for the tool bit shank. When the chuck adjustor is properly set, it should "click" into place and the tool bit should be fully inserted.
- Connect Hoses

1. Wipe all hose couplers with a clean lint-free cloth before making connections.
2. Connect the hoses from the hydraulic power source to the hose couplers on the tool. It is a good practice to connect the return hose first and disconnect it last to minimize or avoid trapped pressure within the tool.
3. Observe flow indicators stamped on hose couplers to be sure that oil will flow in the proper direction. The female coupler is the inlet coupler.

OPERATION

INSTALL TOOL BIT

The CH1513101, CH1533101 and CH1553101 Chipping Hammers accept standard .580 inch hex shank oval collar tool bits.

TO INSTALL AN OVAL COLLAR TOOL BIT

1. Remove the solid retainer.
 - a. Grasp the loop of the retainer spring and pull it from the retainer.
 - b. Slip the solid retainer off the chuck end.
2. Insert the tool bit into the solid retainer. The hex shank must be toward the chuck end. Align the oval collar with the oval slot in the chuck end of the solid retainer.
3. Insert the tool hex shank into the chuck end to engage the hex liner. Index the shank in the hex liner to get the desired bit orientation to the chipper.
4. Slide the solid retainer on the chuck end, aligning the retainer spring slot with the groove.
5. Install the retainer spring.
6. Connect the hoses to the tool and the hydraulic power source.

NOTE:

The pressure increase in uncoupled hoses left in the sun may result in making them difficult to connect. When possible, connect the free ends of operating hoses together.

OPERATING PROCEDURES

1. Observe all safety precautions.
2. Move the hydraulic circuit control valve to the "ON" position.
3. Place the tool bit firmly on the surface to be broken.
4. Squeeze the trigger to start the chipping hammer. Adequate down pressure is very important.

NOTE:

Partially depressing the trigger allows the tool to operate at a slow speed, making it easy to start the tool bit into the surface to be broken.

COLD WEATHER OPERATION

If the tool is to be used during cold weather, preheat the hydraulic fluid at low engine speed. When using the normally recommended fluids, fluid temperature should be at or above 50° F/10° C (400 ssu/82 centistokes) before use.

STORAGE

1. Disconnect the tool from the hydraulic power source.
2. Remove the tool bit and spray the chuck area with WD-40™ inside and out.
3. Wipe clean and store in a clean, dry place.

EQUIPMENT PROTECTION & CARE

NOTICE

In addition to the Safety Precautions in this manual, observe the following for equipment protection and care.

- Make sure all couplers are wiped clean before connection.
- The hydraulic circuit control valve must be in the “OFF” position when coupling or uncoupling hydraulic tools. Failure to do so may result in damage to the quick couplers and cause overheating of the hydraulic system.
- Always store the tool in a clean dry space, safe from damage or pilferage.
- Make sure the circuit PRESSURE hose (with male quick disconnect) is connected to the “IN” port. The circuit RETURN hose (with female quick disconnect) is connected to the opposite port. Do not reverse circuit flow. This can cause damage to internal seals.
- Always replace hoses, couplings and other parts with replacement parts recommended by Stanley Hydraulic Tools. Supply hoses must have a minimum working pressure rating of 2500 psi/172 bar.
- Do not exceed the rated flow (see Specifications) page 15 in the manual for correct flow rate and model number. Rapid failure of the internal seals may result.
- Always keep critical tool markings, such as warning stickers and tags legible.
- Do not force a small tool to do the job of a large tool.
- Keep tool bit sharp for maximum breaker performance. Make sure that tool bits are not chipped or rounded on the striking end.
- Never operate a chipper without a tool bit or without holding it against the work surface. This puts excessive strain on the retainer.
- Tool repair should be performed by experienced personnel only.
- Make certain that the recommended relief valves are installed in the pressure side of the system.
- Do not use the tool for applications for which it was not intended.

TROUBLESHOOTING

If symptoms of poor performance develop, the following chart can be used as a guide to correct the problem.

When diagnosing faults in operation of the tool, always make sure the hydraulic power source is supplying the correct hydraulic flow and pressure as listed in the table. Use a flowmeter known to be accurate. Check the flow with the hydraulic fluid temperature at least 80° F/27° C.

PROBLEM	CAUSE	SOLUTION
Tool does not run.	Power unit not functioning.	Check power unit for proper flow and pressure 7-9gpm/26-34 lpm, 2000 psi/140 bar for 8 gpm model. Check power unit for proper flow and pressure 4-6gpm/15-23 lpm, 2000 psi/140 bar for 5 gpm model.
	Couplers or hoses blocked.	Remove restriction.
	Pressure and return line hoses reversed at ports.	Be sure hoses are connected to their proper ports.
	Mechanical failure of piston or shuttle valve.	Have inspected and repaired by authorized dealer.
Tool does not hit effectively.	Power unit not functioning.	Check power unit for proper flow and pressure 7-9gpm/26-34 lpm, 2000 psi/140 bar for 8 gpm model. Check power unit for proper flow and pressure 4-6gpm/15-23 lpm, 2000 psi/140 bar for 5 gpm model.
	Couplers or hose blocked.	Remove restriction.
	Fluid too hot	Provide cooler to maintain proper fluid temperature. (above 140° F / 60° C).
	Incorrect tool bit .	Ensure tool bit meets specifications.
Tool operates slow.	Low oil flow from power unit.	Check power source for proper flow.
	High backpressure.	Check hydraulic system for excessive backpressure and correct as required.

SPECIFICATIONS

Oil Flow Range	
CH15521, CH1553101, 5 gpm Model	4-6 gpm/15-23 lpm
CH15121, CH1513101, CH1533101, 8 gpm Model	7-9 gpm/26-34 lpm
Pressure Range	1000-2000 psi/69-140 Bar
Length	17 in./43 cm
Weight	16 lb./7.25 kg
Tool Bit Models CH15521, CH15121580 in. Hex Shank or .680 in. Rnd Shank, Rnd Collar
Tool Bit Models CH1513101, CH1533101, CH1553101580 in. Hex Shank Oval Collar
Porting	-8 SAE O-ring
Couplers	HTMA/EHTMA Flush Face Type Male & Female
Connect Size and Type	3/8 in. Male Pipe Adapter
Hose Whips	Yes
Maximum Back Pressure	250 psi/17 bar
Maximum Fluid Temperature	140° F/60° C
Sound Power Level	105 LWA
Sound Pressure Level @ 1 meter	92 dBA
Vibration Level	
5-GPM Models	11.4 m/s ²
8-GPM Models	31.9 m/s ²

ACCESSORIES

Description	Part No.
ALL MODELS	
Parker Bruning Flush Face Coupler Set, 3/8 NPT.....	03971
Parker Bruning Flush Face Coupler Set, 1/2 NPT.....	03974
Hose, 50 ft. x 1/2 in. ID, wire braid, dual, with couplers	31848
Hose, 25 ft. x 1/2 in. ID, wire braid, dual, with couplers	31972
Seal Kit	35979
MODELS CH15521, CH15121 ONLY	
Flat Chisel Bit, 1 in. x 18 in., .580 Hex	02278
Bull Point Bit, 1 in. x 18 in., .580 Hex	02279
Chisel Bit, 1 in. x 9 in., .580 Hex	03690
Chisel Bit, 2 in. x 5 in., .580 Hex	03963
MODELS CH1513101, CH1533101, CH1553101	
Point, 9 in., Oval, .580 Hex.....	66256
Narrow Chisel, 9 in., Oval, .580 Hex	66257

CH15 PARTS ILLUSTRATION

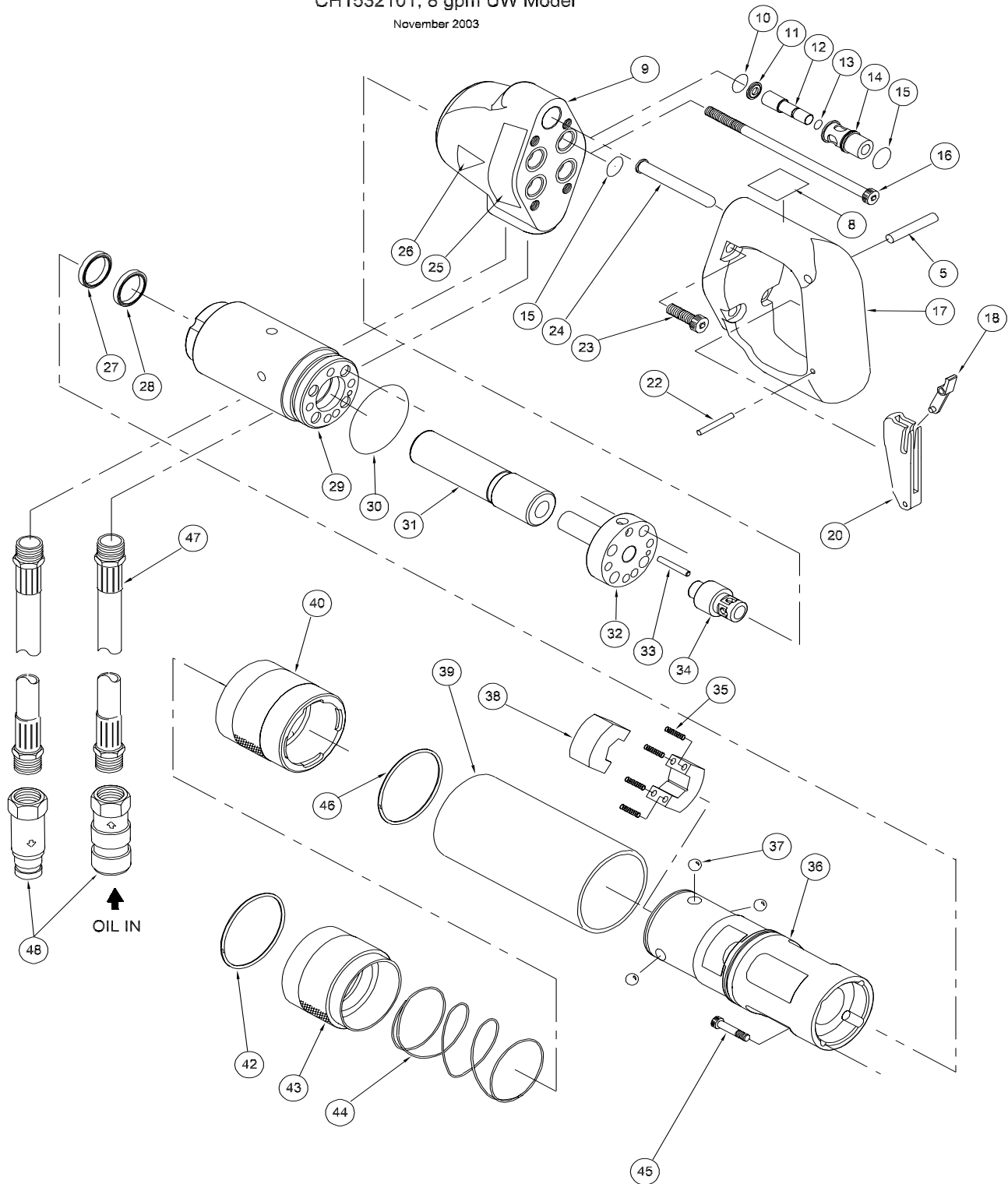
CH15 CHIPPING HAMMER

CH15121, 8 gpm Model

CH15521, 5 gpm Model

CH1532101, 8 gpm UW Model

November 2003



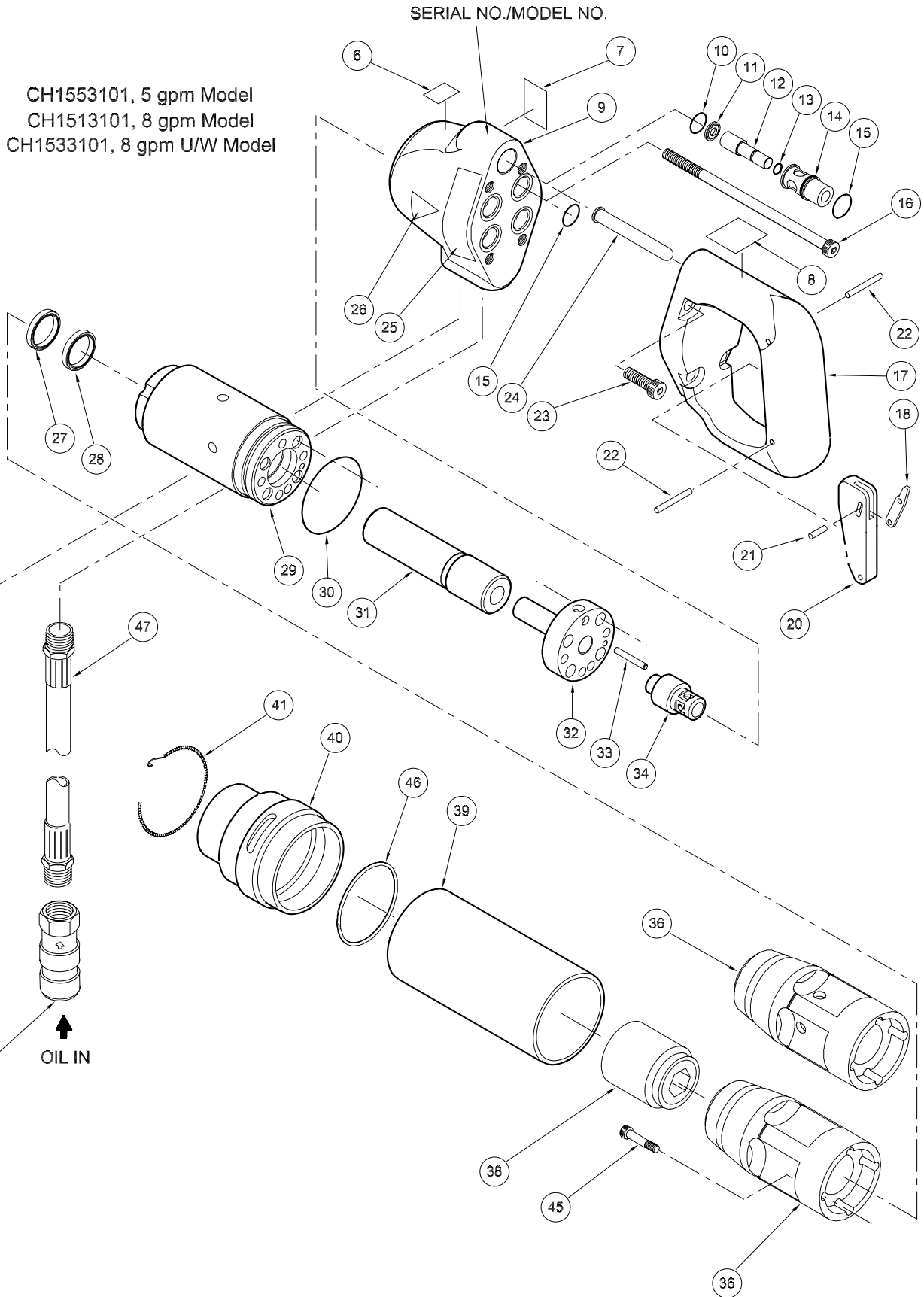
CH15 PARTS LIST

CH15121 / CH15521 / CH1532101

ITEM	P/N	QTY	DESCRIPTION	MODEL DESIGNATIONS	
1	----	--	NO ITEM	CH15521	5 gpm Model
2	----	--	NO ITEM	CH15121	8 gpm Model
3	----	--	NO ITEM	CH1532101	8 gpm Model, Underwater
4	----	--	NO ITEM		
5	07492	1	SPIROL PIN		
6	28323	1	CE STICKER		
7	66654	1	SOUND PWR LEVEL STICKER		
8	28409	1	COMPOSITE STICKER		
9	35544	1	BODY		
10	00016	1	O-RING 2-015 R16		
11	33268	1	INSERT		
12	31583	1	VALVE SPOOL		
13	31650	1	O-RING, .176x.040, 5 -193		
14	31597	1	VALVE SLEEVE		
15	01211	5	O-RING 2-016 R16		
16	24871	4	CAPSCREW 5/16-18UNC x 3		
17	35553	1	HANDLE		
18	62197	1	TRIGGER ROD		
19	----	--	NO ITEM		
20	62198	1	TRIGGER		
21	00878	1	DOWEL PIN, 3/16 X 1/2 SS		
22	31602	1	SPIROL PIN 5/32 x 1.2		
23	13815	4	CAPSCREW 5/16-18UNC x 1		
24	31582	1	TRIGGER PIN		
25	33513	1	NAME TAG, CH15521 MODEL		
	36112	1	NAME TAG, CH15121 MODEL		
26	11206	1	CIRCUIT "C" STICKER, CH15521MODEL		
	11207	1	CIRCUIT "D" STICKER, CH15121MODEL		
27	31607	1	SCRAPER		
28	31606	1	CUP SEAL		
29	36111	1	CYLINDER, CH15121 MODEL		
	35961	1	CYLINDER, CH15521 MODEL		
30	07572	1	O-RING 2-135 R16		
31	33520	1	PISTON, CH15121 MODEL		
	31590	1	PISTON, CH15521 MODEL		
32	33521	1	TUBE, CH15121 MODEL		
	35547	1	TUBE, CH15521 MODEL		
33	35546	1	DOWEL PIN, 5/32 X 1.500		
34	31592	1	SHUTTLE VALVE		
35	33293	4	SPRING		
36	31585	1	SHANK		
	38596	1	SHANK - UNDERWATER MODEL ONLY		
37	12100	3	STEEL BALL 3/8 DIA. G		
38	31586	2	HEX BLOCK		
39	33294	1	FOAM GRIP		
40	31587	1	CHUCK ADJUSTOR		
41	----	--	NO ITEM		
42	33292	1	RETAINING RING		
43	31588	1	CHUCK OUTER SLEEVE		
44	33291	1	SPRING		
45	35976	4	CAPSCREW 1/4X1.500		
46	38597	1	RETAINING RING - U/W MODEL ONLY		
47	01412	2	PIGTAIL HOSE ASSY 12		
48	03971	1	FLUSH FACE COUPLER SET		

SEAL KIT 35979

CH15 PARTS ILLUSTRATION



CH15 PARTS LIST

CH1553101 / CH1513101 / CH1533101

ITEM	P/N	QTY	DESCRIPTION	MODEL DESIGNATIONS
1	----	--	NO ITEM	CH1553101 5 gpm Model CH1513101 8 gpm Model CH1533101 8 gpm Model, Underwater
2	----	--	NO ITEM	
3	----	--	NO ITEM	
4	----	--	NO ITEM	SEAL KIT 35979
5	07492	1	SPIROL PIN	
6	28323	1	CE STICKER	
7	66654	1	SOUND PWR LEVEL STICKER	
8	28409	1	COMPOSITE STICKER	
9	35544	1	BODY	
10	00016	1	O-RING 2-015 R16	
11	33268	1	INSERT	
12	31583	1	VALVE SPOOL	
13	31650	1	O-RING, .176x.040, 5 -193	
14	31597	1	VALVE SLEEVE	
15	01211	5	O-RING 2-016 R16	
16	24871	4	CAPSCREW 5/16-18UNC x 3	
17	35553	1	HANDLE	
18	62197	1	TRIGGER ROD	
19	----	--	NO ITEM	
20	62198	1	TRIGGER	
21	00878	1	DOWEL PIN, 3/16 X 1/2 SS	
22	31602	1	SPIROL PIN 5/32 x 1.2	
23	13815	4	CAPSCREW 5/16-18UNC x 1	
24	31582	1	TRIGGER PIN	
25	33513	1	NAME TAG, CH1553101	
	36112	1	NAME TAG, CH1513101, CH1533101	
26	11206	1	CIRCUIT "C" DECAL, CH1553101	
	11207	1	CIRCUIT "D" DECAL, CH1513101, CH1533101	
27	31607	1	SCRAPER	
28	31606	1	CUP SEAL	
29	36111	1	CYLINDER, CH1513101, CH1533101	
	35961	1	CYLINDER, CH153101	
30	07572	1	O-RING 2-135 R16	
31	33520	1	PISTON, CH1513101, CH1533101	
	31590	1	PISTON, CH1553101	
32	33521	1	TUBE, CH1513101, CH1533101	
	35547	1	TUBE, CH1553101	
33	35546	1	DOWEL PIN, 5/32 X 1.500	
34	31592	1	SHUTTLE VALVE	
35	----	--	NO ITEM	
36	65835	1	CHUCK END, CH1513101, CH1553101	
	66258	1	CHUCK END, CH1533101 U/W ONLY	
37	----	--	NO ITEM	
38	03210	1	RETAINING NOSE LINER	
39	33294	1	FOAM GRIP	
40	65836	1	SOLID RETAINER	
41	65837	1	RETAINER SPRING	
42	----	--	NO ITEM	
43	----	--	NO ITEM	
44	----	--	NO ITEM	
45	35976	4	CAPSCREW 1/4X1.500	
46	38597	1	RETAINING RING - U/W MODEL ONLY	
47	01412	2	PIGTAIL HOSE ASSY 12	
48	03971	1	FLUSH FACE COUPLER SET	

WARRANTY

Stanley Hydraulic Tools (hereinafter called "Stanley"), subject to the exceptions contained below, warrants new hydraulic tools for a period of one year from the date of sale to the first retail purchaser, or for a period of 2 years from the shipping date from Stanley, whichever period expires first, to be free of defects in material and/or workmanship at the time of delivery, and will, at its option, repair or replace any tool or part of a tool, or new part, which is found upon examination by a Stanley authorized service outlet or by Stanley's factory in Milwaukie, Oregon to be DEFECTIVE IN MATERIAL AND/OR WORKMANSHIP.

EXCEPTIONS FROM WARRANTY

FREIGHT COSTS: Freight costs to return parts to Stanley, if requested by Stanley for the purpose of evaluating a warranty claim for warranty credit, are covered under this policy if the claimed part or parts are approved for warranty credit. Freight costs for any part or parts which are not approved for warranty credit will be the responsibility of the individual.

SEALS & DIAPHRAGMS: Seals and diaphragms installed in new tools are warranted to be free of defects in material and/or workmanship for a period of 6 months after the date of first usage, or for a period of 2 years from the shipping date from Stanley, whichever period expires first.

CUTTING ACCESSORIES: Cutting accessories such as breaker tool bits are warranted to be free of defects in material and or workmanship at the time of delivery only.

ITEMS PRODUCED BY OTHER MANUFACTURERS: Components which are not manufactured by Stanley and are warranted by their respective manufacturers.

a. Costs incurred to remove a Stanley manufactured component in order to service an item manufactured by other manufacturers.

ALTERATIONS & MODIFICATIONS: Alterations or modifications to any tool or part. All obligations under this warranty shall be terminated if the new tool or part is altered or modified in any way.

NORMAL WEAR: any failure or performance deficiency attributable to normal wear and tear such as tool bushings, retaining pins, wear plates, bumpers, retaining rings and plugs, rubber bushings, recoil springs, etc.

INCIDENTAL/CONSEQUENTIAL DAMAGES: To the fullest extent permitted by applicable law, in no event will STANLEY be liable for any incidental, consequential or special damages and/or expenses.

FREIGHT DAMAGE: Damage caused by improper storage or freight handling.

LOSS TIME: Loss of operating time to the user while the tool(s) is out of service.

IMPROPER OPERATION: Any failure or performance deficiency attributable to a failure to follow the guidelines and/or procedures as outlined in the tool's operation and maintenance manual.

MAINTENANCE: Any failure or performance deficiency attributable to not maintaining the tool(s) in good operating condition as outlined in the Operation and Maintenance Manual.

HYDRAULIC PRESSURE & FLOW: Any failure or performance deficiency attributable to excess hydraulic pressure, excess hydraulic back-pressure, or excess hydraulic flow.

REPAIRS OR ALTERATIONS: Any failure or performance deficiency attributable to repairs by anyone which in Stanley's sole judgement caused or contributed to the failure or deficiency.

MIS-APPLICATION: Any failure or performance deficiency attributable to mis-application. "Mis-application" is defined as usage of products for which they were not originally intended or usage of products in such a manner which exposes them to abuse or accident, without first obtaining the written consent of Stanley.

WARRANTY REGISTRATION: STANLEY ASSUMES NO LIABILITY FOR WARRANTY CLAIMS SUBMITTED FOR WHICH NO TOOL REGISTRATION IS ON RECORD. In the event a warranty claim is submitted and no tool registration is on record, no warranty credit will be issued without first receiving documentation which proves the sale of the tool or the tools' first date of usage. The term "DOCUMENTATION" as used in this paragraph is defined as a bill of sale, or letter of intent from the first retail customer. A WARRANTY REGISTRATION FORM THAT IS NOT ALSO ON RECORD WITH STANLEY WILL NOT BE ACCEPTED AS "DOCUMENTATION".

NO ADDITIONAL WARRANTIES OR REPRESENTATIONS

This limited warranty and the obligation of Stanley thereunder is in lieu of all other warranties, expressed or implied including merchantability or fitness for a particular purpose except for that provided herein. There is no other warranty. This warranty gives the purchaser specific legal rights and other rights may be available which might vary depending upon applicable law.



Stanley Hydraulic Tools
3810 SE Naef Road
Milwaukie OR 97267-5698
503-659-5660
FAX 503-652-1780
www.stanley-hydraulic-tools.com
