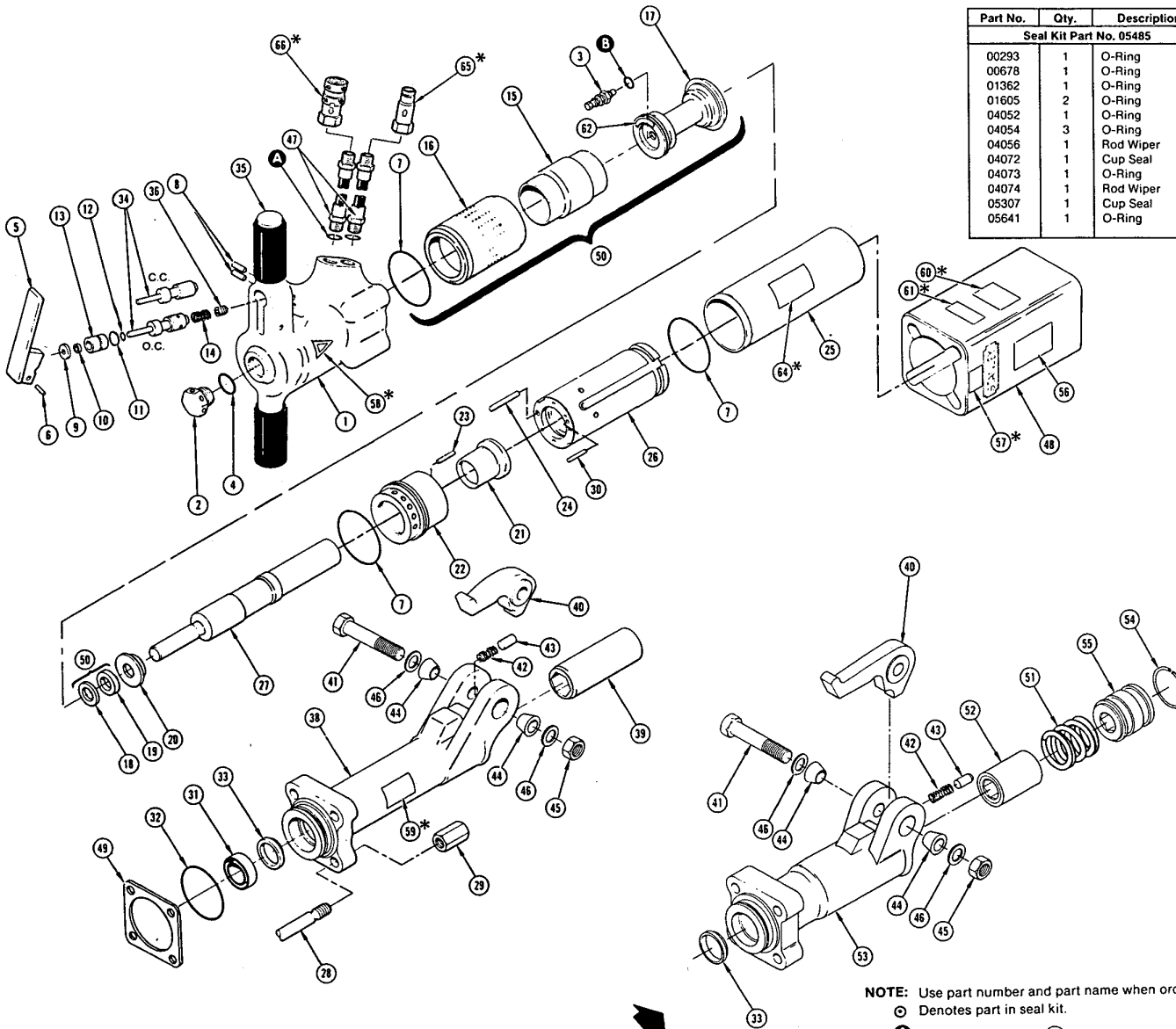


SEAL KIT DATA

Part No.	Qty.	Description
Seal Kit Part No. 05485		
00293	1	O-Ring
00678	1	O-Ring
01362	1	O-Ring
01605	2	O-Ring
04052	1	O-Ring
04054	3	O-Ring
04056	1	Rod Wiper
04072	1	Cup Seal
04073	1	O-Ring
04074	1	Rod Wiper
05307	1	Cup Seal
05641	1	O-Ring

PARTS LIST

Item No.	Part No.	Qty.	Description
1	06185	1	Handle Assembly - (Incl. item 35)
2	04050	1	Valve Cap Assembly
3	04051	1	Charging Valve
4	04052	1	O-Ring, 1.047 x 1.279 x .116.90D ⊙
5	04053	1	Trigger
6	00644	1	Spirol Pin
7	04054	3	O-Ring, 2-7/8 x 3-1/8 x 1/8 90D ⊙
8	22891	2	Spirol Pin, 3/16 x 1-5/8
9	04055	1	Washer
10	04056	1	Rod Wiper ⊙
11	00293	1	O-Ring, 11/16 x 7/8 x 3/32
12	01362	1	O-Ring, 5/16 x 7/16 x 1/16 ⊙
13	04057	1	Bushing
14	04058	1	Spring
15	04059	1	Accumulator Diaphragm
16	04060	1	Accumulator Cylinder
17	05309	1	Accumulator Chamber Assembly
18	05301	1	Back-Up Washer
19	05307	1	Cup Seal ⊙
20	04064	1	Washer
21	04065	1	Automatic Valve
22	04066	1	Automatic Valve Body
23	04571	2	Push Pin, 3/16 x 1-1/4
24	04067	4	Push Pin, 5/16 x 2
25	04068	1	Flow Sleeve Tube
26	04069	1	Flow Sleeve
27	16812	1	Piston
28	04071	4	Side Rod
29	04075	4	Side Rod Nut
30	07890	1	Roll Pin, 3/16 x 1-1/2
31	04072	1	Cup Seal ⊙
32	04073	1	O-Ring, 2-5/8 x 2-7/8 x 1/8 90D ⊙
33	04074	1	Rod Wiper ⊙
34	04077	1	Valve Spool, O.C.
35	04593	1	Valve Spool, C.C.
36	02494	2	Handle Grip
37	05465	1	Orifice Plug
38	05466	1	Foot Assembly, 1-1/8 Hex (incl. items 33 thru 49)
39	05467	1	Foot Assembly, 1-1/4 Hex (incl. items 33 thru 46)
40	05484	1	Foot Assembly
41	04081	1	Hex Bushing, 1-1/8 Hex
42	04597	1	Hex Bushing, 1-1/4 Hex
43	01837	1	Latch
44	04983	1	Bolt
45	01744	1	Spring
46	01745	1	Detent, 1.000" OAL, (SN 1708 and below)
47	08411	1	Detent, 1.250" OAL, (above SN 1708)
48	01269	2	Rubber Sleeve, 1.000"
49	04984	1	Stop Nut
50	04985	2	Spring Washer
51	09548	2	Pigtail Hose Assembly
52	05265	1	Flow Sleeve Housing
53	24851	1	Elastomeric Spacer
54	06889	1	Accumulator Assembly (incl. items 3, 7, 15 thru 19 and 50)
55	07523	1	Foot Assembly, 1-1/8 Hex Easi-ride (incl. items 33, 40-46 and 53-58)
56	07486	1	Foot Assembly, 1-1/4 Hex Easi-ride (incl. items 33, 40-46 and 53-58)
57	07515	1	Spring
58	07517	1	Hex Bushing, 1-1/8
59	07518	1	Hex Bushing, 1-1/4
60	11614	1	Breaker Foot Assembly
61	07522	1	Retaining Ring
62	08115	1	Collar Support Assembly, 1-1/8 w/Wear Rings
63	08116	1	Collar Support Assembly, 1-1/4 w/Wear Rings
64	07892	1	Sticker, Nameplate
65	03693	1	Sticker, Closed Center (C.C. Model) *
66	11207	1	Sticker, Circuit Type D *
67	11208	1	Sticker, Hex Shank Length *
68	11213	1	Sticker, Sound Power Level *
69	11215	1	Sticker, Flow and Pressure *
70	10180	1	Sticker, Caution
71	15875	1	Tool Operator's Warning Tag (not illustrated)
72	21913	1	Ear Defender Sticker *
73	03973	1	Flush Faced Male *
74	03972	1	Flush Faced Female *



Easi-Ride™ Breaker Foot Assembly

NOTE: Use part number and part name when ordering.

⊙ Denotes part in seal kit.

A Supplied with item. 47

B Supplied with item. 3

* Not included on all models