

## BR67 PARTS LIST

Item No	ANTI-VIB HANDLE		STANDARD HANDLE		Qty	Description
	Without Trigger Lock	With Trigger Lock	Without Trigger Lock	With Trigger Lock		
Part No	Part No	Part No	Part No	Part No		
1	24067	24067	----	----	1	Retaining Ring
2	04055	04055	04055	04055	1	Washer
3	04056	04056	04056	04056	1	Rod Wiper
4	26451	26451	04057	04057	1	Bushing
5	01362	01362	01362	01362	1	O-ring, 5/16 x 7/16 x 1/16 ●
6	00293	00293	00293	00293	1	O-ring, 11/16 x 7/8 x 3/32 ●
7	20515	20515	04077	04077	1	Valve Spool
8	04058	04058	04058	04058	1	Spring
9	07628	07628	----	----	4	Capscrew
10	20511	20511	----	----	1	Lever
11	28369	28369	----	----	1	Handle
12	24958	24958	04053	11434	1	Trigger
13	29045	31565	----	----	1	Trigger Handle
14	----	26599	----	----	1	Pin
15	----	24964	----	----	1	Spring
16	----	16607	----	----	1	SAE Plug, -10
17	04070	04070	04070	04070	1	Piston
18	----	24948	----	----	1	Trigger Lock
19	----	29508	----	----	1	Pin
20	20510	20510	----	----	1	Plug
21	20499	20499	04051	04051	1	Charge Valve
22	----	21089	----	----	1	Roll Pin
23	20500	20500	----	----	2	Spirol Pin
24	20541	20541	----	----	2	Spring
25	20498	20498	----	----	2	Spring
26	02494	02494	02494	02494	2	Handle Grip
27	11207	11207	----	11207	1	Circuit Type "D" Sticker
28	01605	01605	01605	01605	2	O-ring ●
29	09546	09546	09546	09546	2	Hose Assy (Incl item 28)
30	12832	12832	04350	04350	1	Orifice Plug
31	06891	06891	----	----	1	O-ring, -912, R17 ●
32	20510	20510	----	----	1	Plug
33	26452	26452	----	----	1	Sintered Filter
34	04795	04795	----	----	2	O-ring, 2-218-70D ●
35	16732	16732	----	----	1	O-ring, 2-230-90D ●
36	26448	26448	----	----	1	Spacer
37	04062	04062	04062	04062	1	Back-up Washer
38	03973	03973	----	----	1	Male Coupler Body
39	03972	03972	----	----	1	Female Coupler Body
40	04068	04068	04068	04068	1	Flow Sleeve Tube
41	29203	29203	----	----	1	Name Tag, BR67
42	04064	04064	04064	04064	1	Washer
43	04063	04063	04063	04063	1	Cup Seal
44	04054	04054	04054	04054	2	O-ring, 2-7/8 x 3-1/8 x 1/8 ●
45	04069	04069	04069	04069	1	Flow Sleeve
46	04071	04071	04071	04071	1	Side Rod
47	04065	04065	04065	04065	1	Automatic Valve
48	04571	04571	04571	04571	2	Push Pin
49	20508	20508	----	----	2	Pivot Screw
50	26596	26596	----	----	1	Accumulator Valve Block
51	26574	26574	04059	04059	1	Accumulator Diaphragm
52	26449	26449	----	----	1	Accumulator Plug
53	04081	04081	04081	04081	1	Hex Bushing, 1-1/8 x 6 in. (for 04598 foot)
	04597	04597	04597	04597	1	Hex Bushing, 1-1/4 x 6 in. (for 04598 foot)
54	04067	04067	04067	04067	4	Push Pin
55	07890	07890	07890	07890	1	Roll Pin
56	04066	04066	04066	04066	1	Automatic Valve Body
57	01269	01269	01269	01269	2	Rubber Sleeve
58	04985	04985	04985	04985	2	Spring Washer
59	----	----	07971	11435	1	Handle
60	04983	04983	04983	04983	1	Bolt
61	04598	04598	04598	04598	1	Foot (for 04081 or 04597 Hex Bushing) (Incl 63 & 64)
	04076	04076	04076	04076	1	Foot Assy, 1-1/8 x 6 in. Hex (USA & CE except UK models only) (Incl items 53, 57, 58, 60, 61, 63, 64 & 66-70)
	04599	04599	04599	04599	1	Foot Assy, 1-1/4 x 6 in. Hex (USA & CE except UK

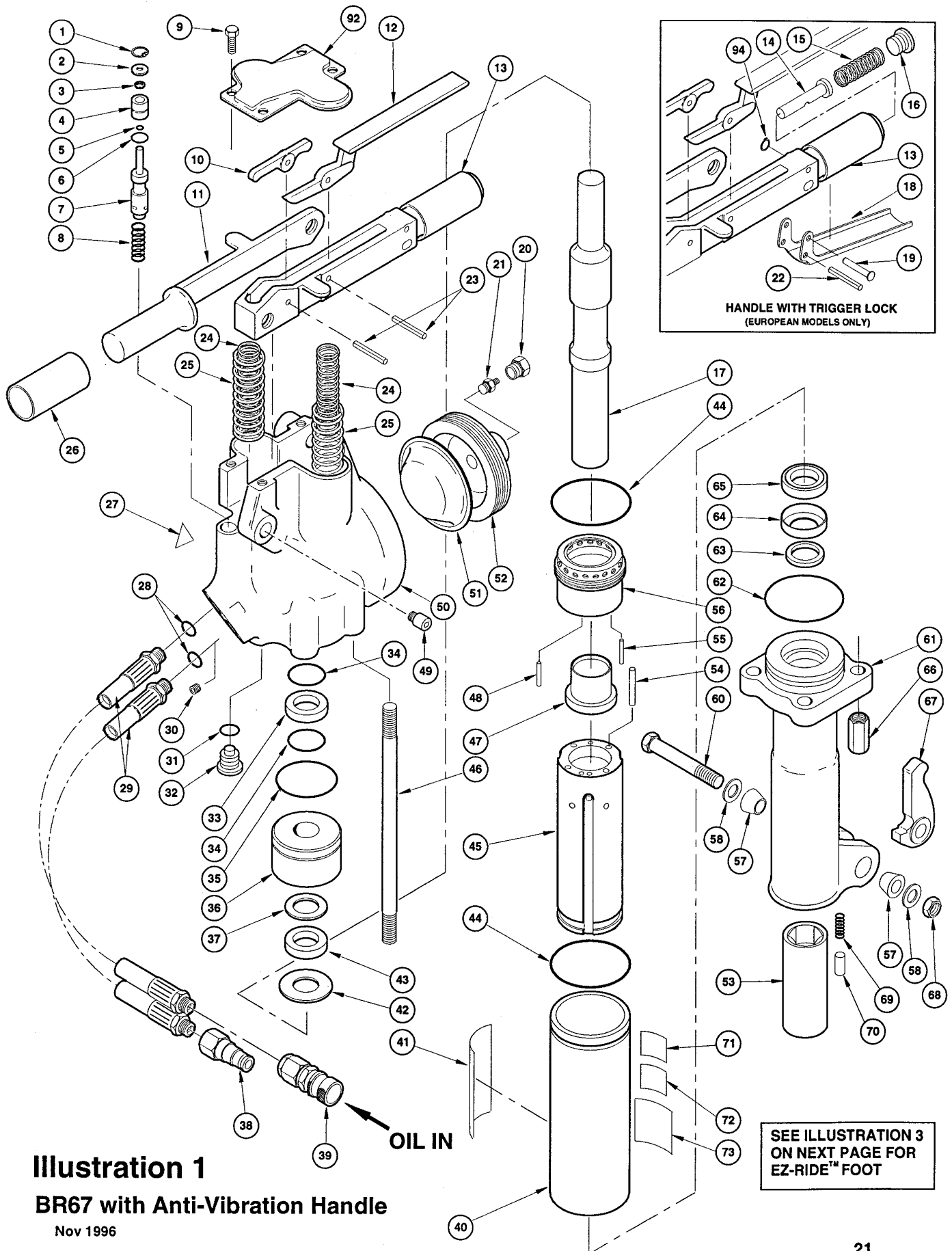
Item No	ANTI-VIB HANDLE		STANDARD HANDLE		Qty	Description
	Without Trigger Lock	With Trigger Lock	Without Trigger Lock	With Trigger Lock		
Part No	Part No	Part No	Part No	Part No		
62	04073	04073	04073	04073	1	models only) (incl items 53, 57, 58, 60, 61, 63, 64 & 66-70)
63	04074	04074	04074	04074	1	O-ring, 2-5/8 x 2-7/8 x 1/8 90D ●
64	05464	05464	05464	05464	1	Rod Wiper ●
65	04072	04072	04072	04072	1	Seal Insert
66	04075	04075	04075	04075	1	Cup Seal ●
67	01837	01837	01837	01837	1	Side Rod Nut
68	04984	04984	04984	04984	1	Latch
69	04983	04983	04983	04983	1	Stop Nut
70	08411	08411	08411	08411	1	Spring
71	----	28322	----	28322	1	Detent
72	28409	28409	28409	28409	1	CE Sticker (CE models only)
73	11211	11211	11211	11211	1	Composite Sticker
74	----	----	04050	04050	1	Sound Power Level Sticker
75	----	----	04052	04052	1	Valve Cap Assy
76	----	----	00844	00844	1	O-ring, 1.047 x 1.279 x .116 90D ●
77	----	----	22891	22891	1	Spirol Pin
78	----	----	----	----	1	Spring Pin
79	----	----	04061	04061	1	Sticker
80	----	----	----	11430	1	Accumulator Chamber
81	----	----	07517	07517	1	Spring
	----	----	07518	07518	1	Hex Bushing, 1-1/8 x 6 in. (for 11614 EZ Foot)
	----	11230	----	11230	1	Hex Bushing, 1-1/4 x 6 in. (for 11614 EZ Foot)
82	----	----	07514	07514	1	Hex Bushing, 1-1/4 x 6-1/4 in. (for 12294 EZ foot)
83	----	----	08115	08115	1	Spring
	----	----	08116	08116	1	Collar Support, 1-1/8 in. (for 11614 EZ Foot)
	----	11234	----	11234	1	Collar Support, 1-1/4 in. (for 11614 EZ Foot)
84	----	----	28380	28380	1	Collar Support, 1-1/4 in. (for 12294 EZ foot)
85	----	----	07522	07522	1	Model Sticker (CE models only)
86	----	----	12542	----	1	Retaining Ring
	----	----	----	28376	1	Name Tag
	----	----	----	11614	1	Stanley Label
87	----	12294	----	12294	1	Foot, EZ (for 07517 or 07518 Bushing) (USA & CE except UK models only) (Incl 64 & 87)
	----	----	07525	07525	1	Foot, EZ, (for 11230 Bushing) (UK models only) (Incl 64 & 87)
	----	----	07524	07524	1	Foot Assy, EZ, 1-1/8 x 6 Hex (USA & CE except UK models only) (Incl items 57, 58, 60, 63, 64, 66-70, 81-83, 85, 87)
88	----	----	----	01003	1	Foot Assy, EZ, 1-1/4 x 6 Hex (USA & CE except UK models only) (Incl items 57, 58, 60, 63, 64, 66-70, 81-83, 85, 87)
89	----	----	----	11435	1	Foot Assy, EZ, 1-1/4 x 6-1/4 Hex (UK models only) (Incl items 53, 57, 58, 60, 61, 63, 64 & 66-70, 81-83, 85, 87)
90	----	----	----	11431	1	Button
91	----	----	----	11432	1	Handle
92	26450	26450	----	----	1	Lock Pin
93	----	11208	----	11208	1	Key
94	----	00077	----	00077	1	Pivot Screw
					1	Top Plate
					1	Hex Shank Sticker (UK models only)
					1	Retaining Ring

FOR MORE SPECIFIC DESCRIPTIONS OF THE VARIOUS BREAKER MODELS, SEE "MODEL DESCRIPTIONS" ON PAGE 8.

NOTE: Use Part Number and Part Name when ordering.

## SEAL KIT 04596

• Denotes part in seal kit



**Illustration 1**  
**BR67 with Anti-Vibration Handle**

Nov 1996

# Illustration 2

## BR67 with Standard Handle

Nov 1996

