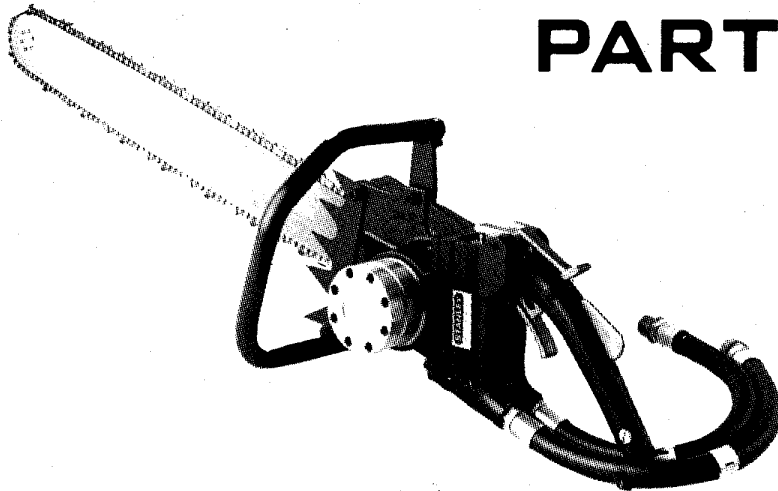


**STANLEY**  
helps you do things right

**Stanley Hydraulic Tools**  
Division of The Stanley Works  
3810 S.E. Naef Road  
Milwaukie, Oregon 97267  
Phone: 503/659-5660  
Telex: 360771

## PARTS LIST



**CS11**  
Underwater

### SPECIFICATIONS

|                                |  |
|--------------------------------|--|
| Weight .....                   | 14 lbs/6.3 kg                            |
| Pressure Range .....           | 1500-2000 psi/105-140 kg/cm <sup>2</sup> |
| Flow Range .....               | 10-14 gpm/38-53 lpm                      |
| Optimum Flow .....             | 14 gpm/52 lpm                            |
| Porting .....                  | 1/2-14 NPT — 1/2" Hose                   |
| Length w/o Bar and Chain ..... | 17 in/4.3 cm                             |
| Width (at Handle Bar) .....    | 9 in/2.3 cm                              |
| System Type .....              | o.c. or c.c.                             |

U.S. Patent Number 3 421 412

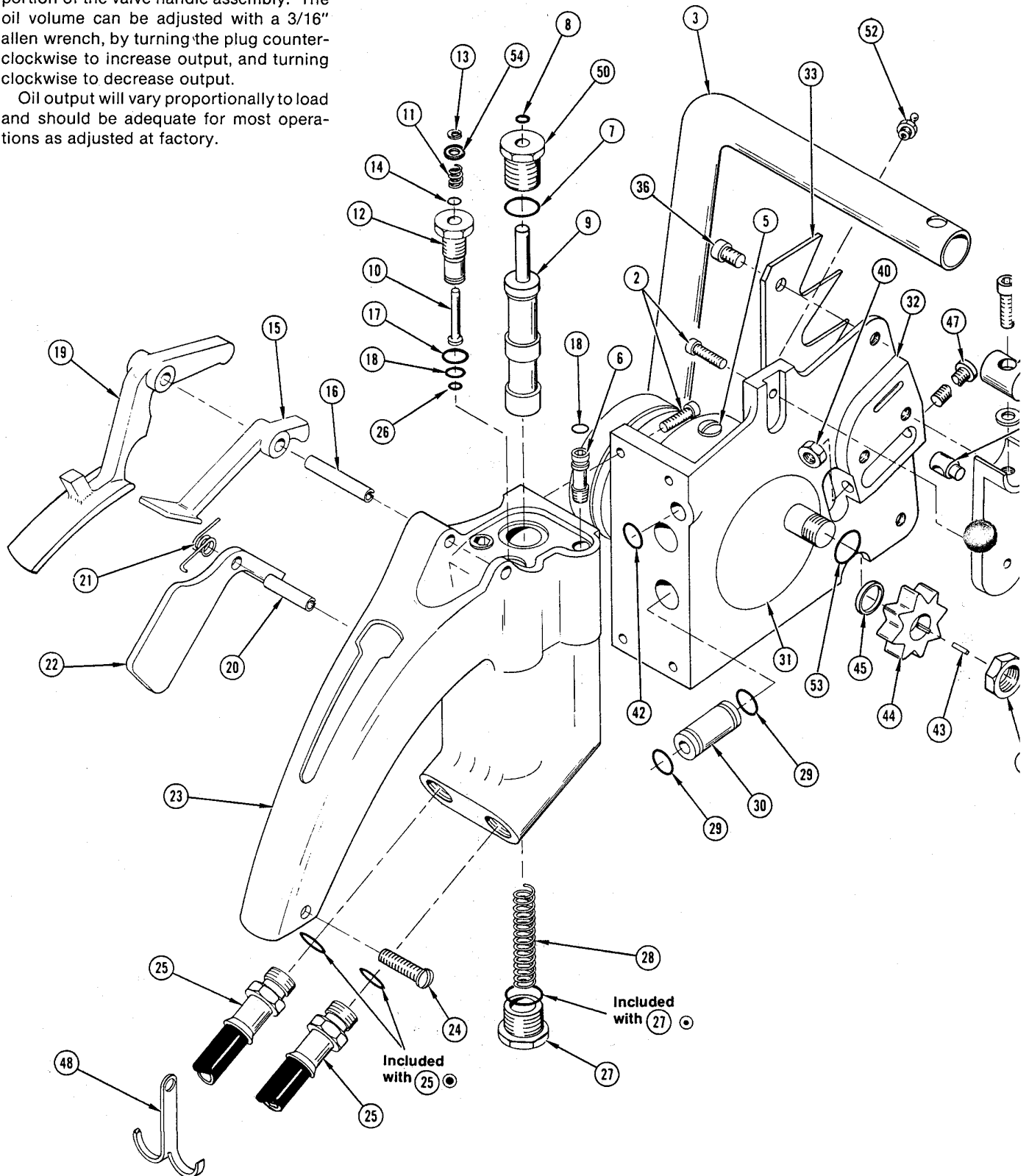
**MODEL CS11**  
**UNDERWATER**

**HYDRAULIC**  
**CHAIN**  
**SAW**

### AUTOMATIC OILER ADJUSTMENT

The automatic oiler adjustment plug (item 6) is located in the top-forward portion of the valve handle assembly. The oil volume can be adjusted with a 3/16" allen wrench, by turning the plug counter-clockwise to increase output, and turning clockwise to decrease output.

Oil output will vary proportionally to load and should be adequate for most operations as adjusted at factory.



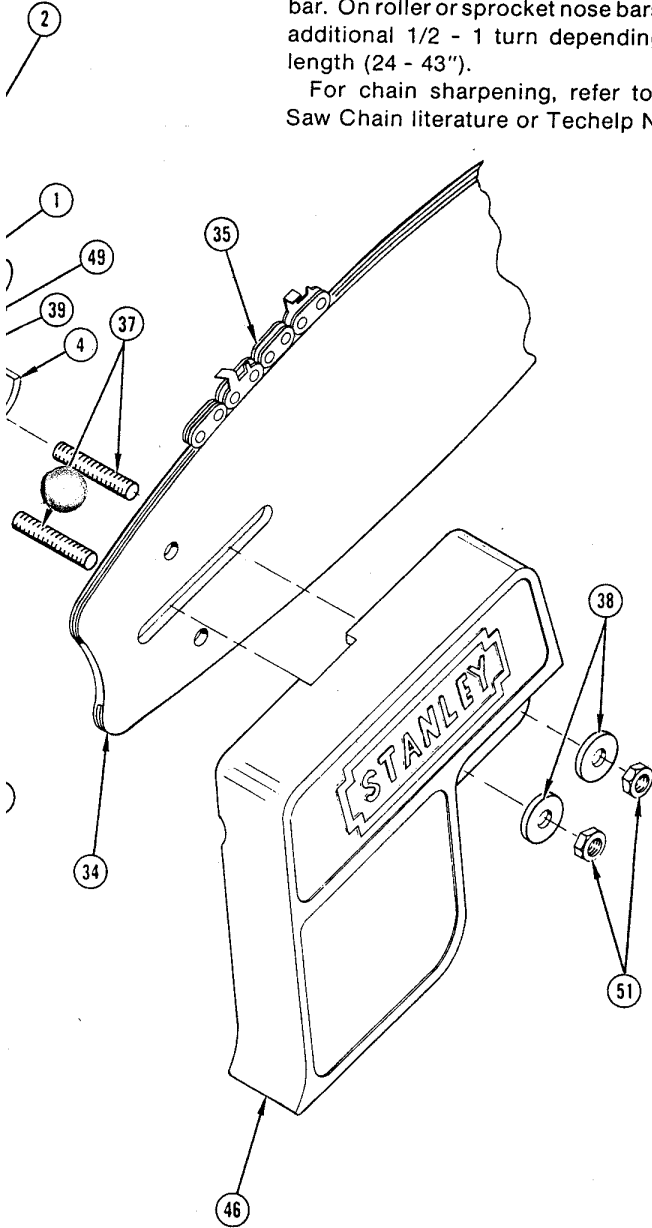
### CHAIN MAINTENANCE

The manual oiler trigger (item 15) should be used frequently for first 1/2 hour on new chains and on any sustained heavy cutting applications to augment the automatic oiler supply.

The saw chain should be adjusted after break in and periodically thereafter to insure long life of all the cutting components (chain, bar and sprocket).

To adjust the chain, loosen the clamping nuts (item 51) and pull up on tip of bar. Tighten tension screw (item 47) until the chain just touches the bottom of the saw bar. On roller or sprocket nose bars, tighten additional 1/2 - 1 turn depending on bar length (24 - 43").

For chain sharpening, refer to Oregon Saw Chain literature or Techelp No. 3.



| Illus. Index No. | Part No. | Qty. Per Unit | PART NAME                                    |
|------------------|----------|---------------|--|
| 1                | 02649    | 3             | Handle Bar Retainer                          |
| 2                | 02764    | 8             | Capscrew, 5/16-18 x 3/4 Soc. Hd.             |
| 3                | 02936    | 1             | Handle Bar                                   |
| 4                | 02650    | 1             | Handle Strut Assembly                        |
| 5                | 00597    | 2             | Machine Screw, 5/16-18 x 3/4 Oval Hd.        |
| 6                | 02921    | 1             | Automatic Oiler Adjustment Plug              |
| 7                | 01604    | 1             | O-Ring, .097 x .755 (90 Duro)Ⓢ               |
| 8                | 00717    | 1             | O-Ring, 1/4 x 3/8 x 1/16 Ⓢ                   |
| 9                | 02925    | 1             | Valve Spool, o.c.                            |
|                  | 02927    | 1             | Valve Spool, c.c.                            |
| 10               | 02922    | 1             | Manual Oiler Plunger                         |
| 11               | 02914    | 1             | Compression Coil Spring                      |
| 12               | 02932    | 1             | Manual Oil Plug                              |
| 13               | 03007    | 1             | Retainer Ring, 5/32 E-Ring Ext.              |
| 14               | 00026    | 1             | O-Ring, 3/16 x 5/16 x 1/16 Ⓢ                 |
| 15               | 02924    | 1             | Manual Oil Trigger                           |
| 16               | 03279    | 1             | Roll Pin, 1/4 x 2-1/2                        |
| 17               | 01411    | 1             | O-Ring, .078 x .468 ID Ⓢ                     |
| 18               | 01362    | 2             | O-Ring, 5/16 x 7/16 x 1/16 Ⓢ                 |
| 19               | 02941    | 1             | Trigger                                      |
| 20               | 03728    | 1             | Roll Pin, 3/16 x 1-3/8                       |
| 21               | 02915    | 1             | Torison Spring                               |
| 22               | 02943    | 1             | Safety Catch                                 |
| 23               | 02945    | 1             | Valve Handle Sub Assembly                    |
| 24               | 00094    | 1             | Machine Screw, 1/4-20 x 1 Oval Hd.           |
| 25               | 06830    | 2             | Pigtail Hose Assembly                        |
| 26               | 05632    | 1             | O-Ring, 3/32 x 7/32 x 1/16 Ⓢ                 |
| 27               | 03010    | 1             | Hex. O-Ring Port Plug, 5/8 Tube Size         |
| 28               | 02916    | 1             | Compression Coil Spring                      |
| 29               | 00175    | 4             | O-Ring, 1/2 x 5/8 x 1/16 Ⓢ                   |
| 30               | 02912    | 2             | Oil Tube                                     |
| 31               | 07362    | 1             | Motor Assembly                               |
| 32               | 02935    | 1             | Chain Saw Adapter Sub Assembly               |
| 33               | 02913    | 1             | Bucking Cleat                                |
| 34               | 02684    | 1             | Saw Bar, 24" Sprocket Nose                   |
|                  | 03192    | 1             | Saw Bar, 30"                                 |
|                  | 03193    | 1             | Saw Bar, 36"                                 |
|                  | 03457    | 1             | Saw Bar, 43"                                 |
| 35               | 01824    | 1             | Saw Chain, 24" Saw Bar 72LP-82X              |
|                  | 03194    | 1             | Saw Chain, 30" Saw Bar 72LP-98X              |
|                  | 03195    | 1             | Saw Chain, 36" Saw Bar 72LP-117X             |
|                  | 03456    | 1             | Saw Chain, 43" Saw Bar 75LP-135X             |
| 36               | 03011    | 2             | Capscrew, 5/16-18 x 1/2 Soc. Hd.             |
| 37               | 03277    | 2             | 3/8-16 z 1-1/2 Stud                          |
| 38               | 02766    | 2             | 3/8 Type A (W) Flat Washer                   |
| 39               | 03275    | 1             | Bar Adjustment Nut •                         |
| 40               | 00719    | 1             | Nut, 1/4-20 ESSNA •                          |
| 41               | 03273    | 1             | Heavy Hex. Jam Nut, 5/8-11 L.H. Thd.         |
| 42               | 00018    | 1             | O-Ring, 7/16 x 9/16 x 1/16 (90 Duro)Ⓢ        |
| 43               | 03023    | 1             | Key •  |
| 44               | 02938    | 1             | Sprocket •                                   |
| 45               | 03280    | 1             | Sprocket Spacer                              |
| 46               | 02933    | 1             | Chain Guard                                  |
| 47               | 02765    | 1             | Machine Screw, 1/4-20 x 2-1/2 Fil. Hd. •     |
| 48               | 02911    | 1             | Hose Clip                                    |
| 49               | 02643    | 3             | Neoprene Washer, 5/16 x 3/4 x 1/16 (70 Duro) |
| 50               | 02931    | 1             | On-Off Valve Cap                             |
| 51               | 03276    | 2             | 3/8-16 Hex Nut •                             |
| 52               | 00767    | 1             | Grease Fitting •                             |
| 53               | 01211    | 1             | O-Ring, 5/8 x 3/4 x 1/16 Ⓢ                   |
| 54               | 04139    | 1             | Washer                                       |

• Denotes Part In Repair Kit

Ⓢ Denotes Part In Seal Kit

NOTE: Use Part Number and Part Name When Ordering.

# REPAIR AND SEAL KIT DATA

## For Chain Saws with Motor Part No. 03272

| Part No.                         | Qty. | Description        |
|----------------------------------|------|--------------------|
| <b>Repair Kit Part No. 03328</b> |      |                    |
| 03023                            | 1    | Key                |
| 02938                            | 1    | Sprocket           |
| 02765                            | 1    | Machine Screw      |
| 03275                            | 1    | Bar Adjustment Nut |
| 03109                            | 1    | Bearing            |
| 03276                            | 2    | Nut                |
| 00767                            | 1    | Grease Fitting     |
| 00719                            | 1    | Nut                |
| 03327                            | 1    | Seal Kit           |

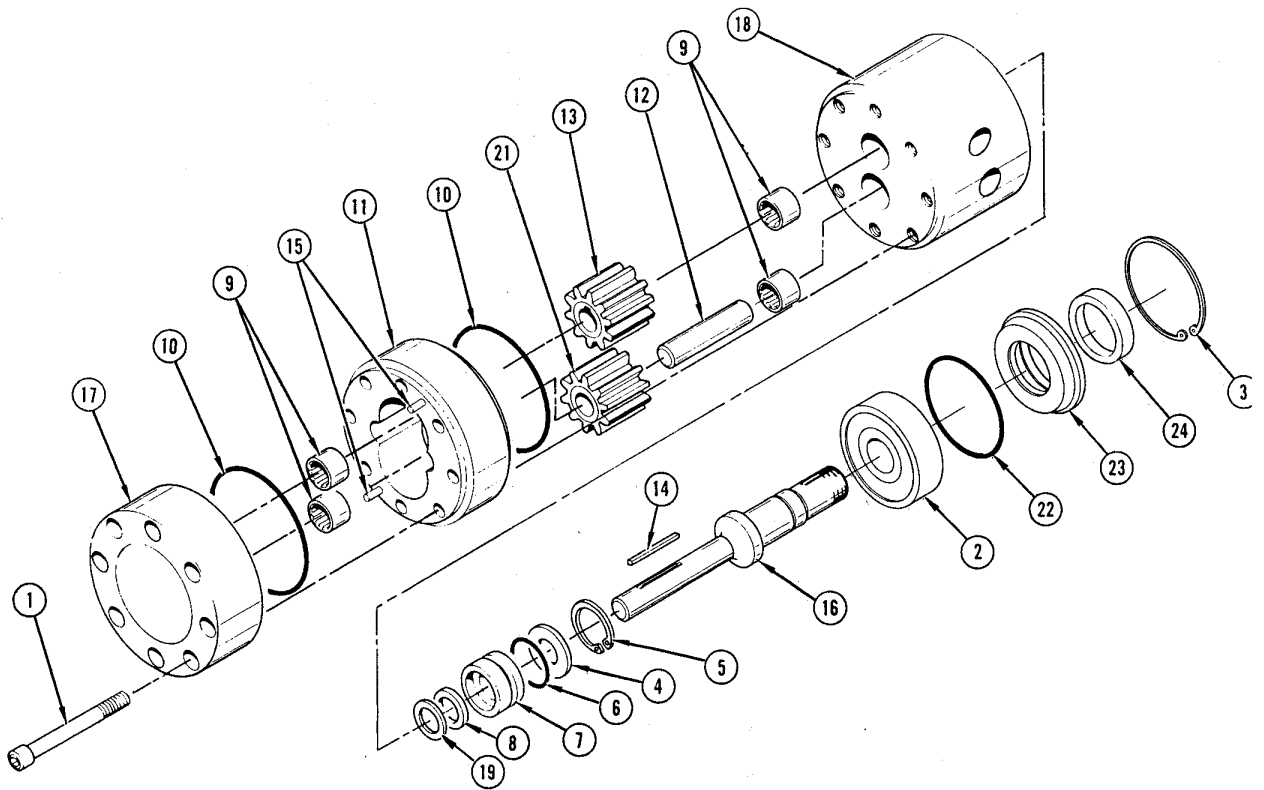
| Part No.                       | Qty. | Description  |
|--------------------------------|------|--------------|
| <b>Seal Kit Part No. 03327</b> |      |              |
| 00717                          | 1    | O-Ring       |
| 01604                          | 2    | O-Ring       |
| 01605                          | 2    | O-Ring       |
| 00175                          | 4    | O-Ring       |
| 01362                          | 2    | O-Ring       |
| 00171                          | 1    | O-Ring       |
| 00172                          | 1    | Seal Liner   |
| 00173                          | 1    | Quad Ring    |
| 00178                          | 2    | O-Ring       |
| 00026                          | 1    | O-Ring       |
| 01411                          | 1    | O-Ring       |
| 00018                          | 1    | O-Ring       |
| 03110                          | 1    | Seal, Teflon |
| 02905                          | 1    | O-Ring       |
| 01211                          | 1    | O-Ring       |
| 05632                          | 1    | O-Ring       |

## For Chain Saws With Motor Part No. 07362

| Part No.                         | Qty. | Description        |
|----------------------------------|------|--------------------|
| <b>Repair Kit Part No. 10570</b> |      |                    |
| 03023                            | 1    | Key                |
| 02938                            | 1    | Sprocket           |
| 02765                            | 1    | Machine Screw      |
| 03275                            | 1    | Bar Adjustment Nut |
| 00148                            | 1    | Bearing            |
| 03276                            | 2    | Nut                |
| 00719                            | 1    | Locknut            |
| 10569                            | 1    | Seal Kit           |

| Part No.                       | Qty. | Description |
|--------------------------------|------|-------------|
| <b>Seal Kit Part No. 10569</b> |      |             |
| 00178                          | 1    | O-Ring      |
| 06135                          | 1    | Seal        |
| 02905                          | 1    | O-Ring      |
| 03110                          | 1    | Teflon Seal |
| 01604                          | 1    | O-Ring      |
| 00717                          | 1    | O-Ring      |
| 00026                          | 1    | O-Ring      |
| 01411                          | 1    | O-Ring      |
| 01362                          | 2    | O-Ring      |
| 05632                          | 1    | O-Ring      |
| 00175                          | 4    | O-Ring      |
| 00018                          | 1    | O-Ring      |
| 01211                          | 1    | O-Ring      |

# HYDRAULIC MOTOR ASSEMBLY 03272

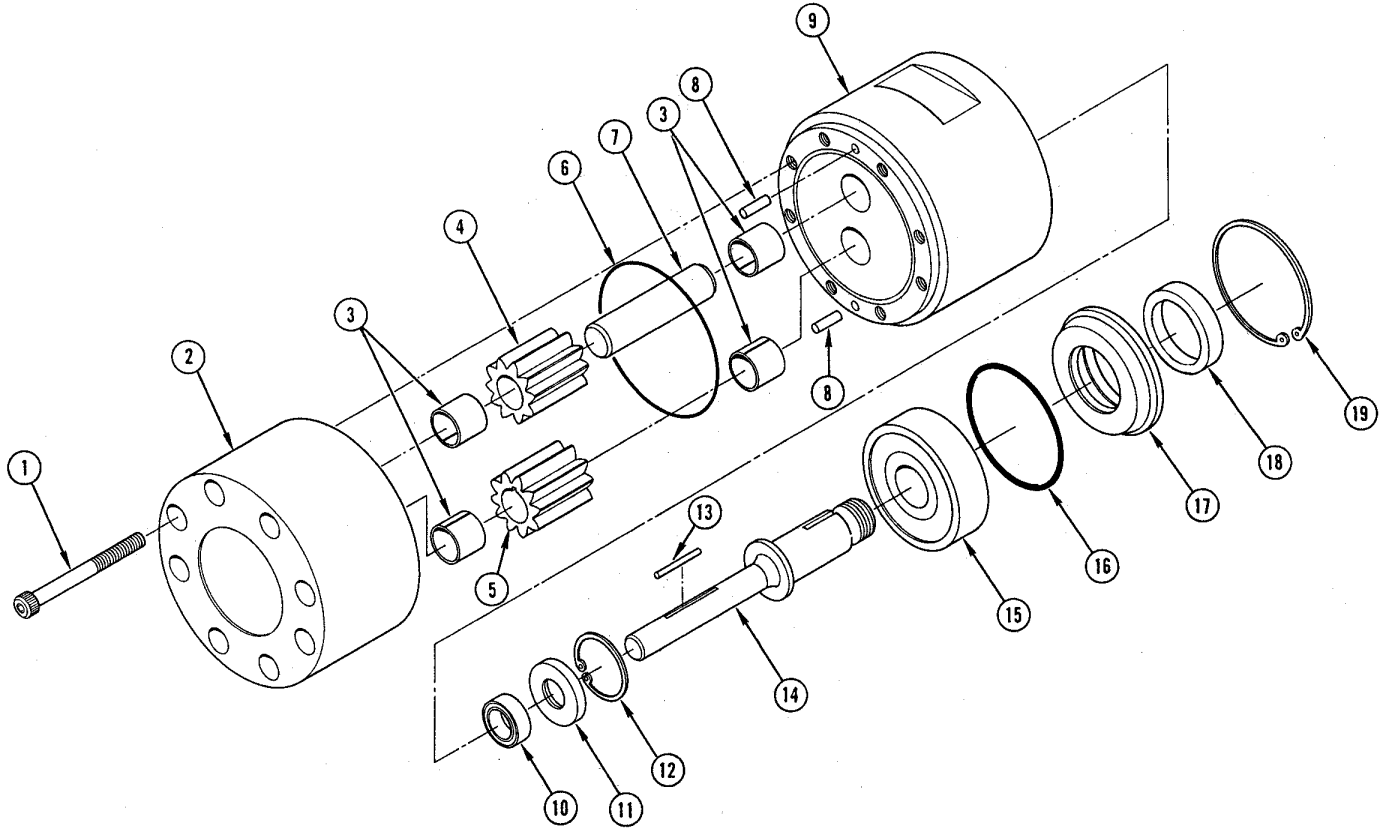


| Illus. Index No. | Part No. | Qty. Per Unit | PART NAME                               |
|------------------|----------|---------------|---|
| 1                | 03274    | 8             | Capscrew, Hex. Soc. 1/4-20 x 2 - stnls. |
| 2                | 00148    | 1             | Bearing*                                |
| 3                | 00166    | 1             | Retainer Ring                           |
| 4                | 00169    | 1             | Washer, Seal Liner                      |
| 5                | 00170    | 1             | Retainer Ring                           |
| 6                | 00171    | 1             | O-Ring, 11/16 x 13/16 x 1/16 ●          |
| 7                | 00172    | 1             | Seal Liner ●                            |
| 8                | 00173    | 1             | Quad Ring, 3/8 x 1/2 x 1/16 ●           |
| 9                | 05240    | 4             | Bushing/Bearing                         |
| 10               | 00178    | 2             | O-Ring, 2-1/8 x 2-1/4 x 1/16 ●          |
| 11               | 00605    | 1             | Gear Housing                            |
| 12               | 00606    | 1             | Idler Shaft                             |
| 13               | 00608    | 1             | Gear w/Keyway                           |
| 14               | 00609    | 1             | Key                                     |
| 15               | 00611    | 2             | Dowel Pin, 1/4 x 1-1/2                  |
| 16               | 03268    | 1             | Motor Shaft                             |
| 17               | 03405    | 1             | Rear Bearing Retainer Assy. (Incl. 63)  |
| 18               | 03437    | 1             | Front Bearing Retainer Assy. (Incl. 63) |
| 19               | 01203    | 1             | Seal Washer                             |
| 20               | 03790    | 1             | GPM Sticker (Not Illus.)                |
| 21               | 00607    | 1             | Gear                                    |
| 22               | 02905    | 1             | O-Ring, 1-11/16 x 1-7/8 x 3/32 ●        |
| 23               | 03104    | 1             | Keeper, Seal and Bearing                |
| 24               | 03110    | 1             | Seal, Teflon ●                          |

\* Denotes Part in Repair Kit

● Denotes Part in Seal Kit

# HYDRAULIC MOTOR ASSEMBLY 07362



| Illus Index No. | Part No. | Qty. Per Unit | PART NAME                      |
|-----------------|----------|---------------|--------------------------------|
| 1               | 00120    | 8             | Capscrew 1/4-20 x 2-1/4 HSH    |
| 2               | 06866    | 1             | Gear Housing Assembly          |
| 3               | 06316    | 4             | Bushing                        |
| 4               | 06853    | 1             | Drive Gear                     |
| 5               | 06855    | 1             | Idler Gear                     |
| 6               | 00178    | 1             | O-Ring ●                       |
| 7               | 06854    | 1             | Idler Shaft                    |
| 8               | 00713    | 2             | Pin                            |
| 9               | 07357    | 1             | Front Bearing Housing Assembly |
| 10              | 06135    | 1             | Seal ●                         |
| 11              | 06304    | 1             | Seal Washer                    |
| 12              | 00170    | 1             | Retaining Ring                 |
| 13              | 06881    | 1             | Needle Roller                  |
| 14              | 07359    | 1             | Motor Shaft                    |
| 15              | 00148    | 1             | Bearing ●                      |
| 16              | 02905    | 1             | O-Ring ●                       |
| 17              | 03104    | 1             | Keeper-Seal Bearing            |
| 18              | 03110    | 1             | Teflon Seal ●                  |
| 19              | 00166    | 1             | Retaining Ring                 |

● Denotes Part in Repair Kit

● Denotes Part in Seal Kit

**STANLEY**  
helps you do things right

## Stanley Hydraulic Tools

Division of The Stanley Works  
3810 S.E. Naef Road  
Milwaukie, Oregon 97267  
Phone: 503/659-5660  
Telex: 360771